

**FIRE PROTECTION GENERAL NOTES:**

- PRIOR TO SUBMITTING BID, VISIT THE JOB SITE AND BECOME FULLY ACQUAINTED WITH THE EXISTING CONDITIONS OF THE PROJECT. REVIEW THE GENERAL NOTES, SPECIFICATIONS AND OTHER DRAWINGS FOR ADDITIONAL REQUIREMENTS WHICH MAY NOT BE SPECIFICALLY CALLED OUT IN THIS PORTION OF THE CONSTRUCTION DOCUMENTS. NOTIFY ARCHITECT, ENGINEER AND/OR OWNER OF CONFLICTS OR DISCREPANCIES PRIOR TO SUBMISSION OF BID.
- SYSTEM DESIGN, INSTALLATION AND MATERIALS SHALL BE IN ACCORDANCE WITH APPLICABLE NFPA STANDARDS. SYSTEM SHALL ALSO MEET ALL APPLICABLE BUILDING CODES, FIRE CODES AND THE REQUIREMENTS OF THE AUTHORITY HAVING JURISDICTION AND INSURANCE CARRIER. VERIFY REQUIREMENTS PRIOR TO BID SUBMITTAL.
- INFORMATION ON CONTRACT DOCUMENTS IS GENERAL INFORMATION AND FOR BID PURPOSES ONLY. CONTRACTOR SHALL BE FULLY RESPONSIBLE FOR THE FINAL SYSTEM DESIGN AND LAYOUT OF ALL COMPONENTS. COORDINATION WITH ALL OTHER TRADES, AND SYSTEM CALCULATIONS REQUIRED FOR APPROVAL BY THE AUTHORITY HAVING JURISDICTION, ENGINEER, AND OWNER'S INSURER.
- THE CONTRACTOR SHALL FOLLOW THE ENGINEER OF RECORD'S SYSTEM DESIGN AND LAYOUT OF ALL COMPONENTS EXCEPT WHERE MODIFICATION TO THE DESIGN IS NECESSARY. MODIFICATIONS SHALL BE REFLECTED IN THE CONTRACTOR'S SHOP DRAWINGS AND CALCULATIONS.
- DEVIATIONS FROM ENGINEER'S DESIGN WILL NOT BE CONSIDERED UNLESS A FORMALLY SUBMITTED RFI IS RECEIVED AND APPROVED.
- THE CONTRACTOR SHALL PROVIDE ALL EQUIPMENT AND LABOR REQUIRED FOR A COMPLETE AND OPERATIONAL SYSTEM AS INDICATED IN THE DRAWINGS AND SPECIFICATIONS.
- PROVIDE ADDITIONAL MATERIALS AND LABOR REQUIRED DUE TO LACK OF COORDINATION OR TO MEET AUTHORITY HAVING JURISDICTION AND INSURANCE CARRIER REQUIREMENTS AT NO ADDITIONAL COST TO THE OWNER.
- FORWARD COMPLETED CERTIFICATE OF COMPLETION AND CONTRACTOR MATERIAL TEST CERTIFICATES TO THE OWNER.
- REFER TO SPECIFICATIONS FOR ADDITIONAL INFORMATION.

**WATER SUPPLY INFORMATION:**

OBTAINED FROM: PARIS FIRE DEPARTMENT  
 TEST DATE AND TIME: 05/24/2023  
 STATIC PRESSURE: 56 PSI  
 RESIDUAL PRESSURE: 46 PSI  
 FLOW HYDRANT LOCATION: E 950TH ROAD  
 WATER FLOW: 1020 GPM

**FIRE PROTECTION SYMBOLS**

THIS IS A MASTER LEGEND AND NOT ALL SYMBOLS OR ABBREVIATIONS ARE USED.

ABBREVIATIONS		FIRE ALARM	
AFF	ABOVE FINISHED FLOOR	NIC	NOT IN CONTRACT
AFG	ABOVE FINISHED GRADE	OC	ON CENTER
CD	CANDELA	PV	POST INDICATOR VALVE
DI	DUCTILE IRON	PRV	PROVIDE FURNISH AND INSTALL PRESSURE REDUCING VALVE
ESFR	EARLY SUPPRESSION FAST RESPONSE	RD	RETURN DUCT
ETR	EXISTING TO REMAIN	REV	REVISION
FHC	FIRE HOSE CABINET	SD	SUPPLY DUCT
FP	FIRE PROTECTION CONTRACTOR	SF	SQUARE FEET
GC	GALLONS PER MINUTE	TYP	TYPICAL
GPM	JUNCTION BOX	UNO	UNLESS NOTES OTHERWISE
JB-BOX	MAXIMUM	V	VOLT(S)
MAX	MINIMUM	W	WATTS
MIN	NOT APPLICABLE	WP	WEATHERPROOF
N/A			

**ANNOTATION**

- ① FIRE PROTECTION PLAN NOTE CALLOUT
- CONNECTION POINT OF NEW WORK TO EXISTING
- ①/② DETAIL REFERENCE UPPER NUMBER INDICATES DETAIL NUMBER LOWER NUMBER INDICATES SHEET NUMBER
- ①/F1 SECTION CUT DESIGNATION
- ⊞ DEDICATED EQUIPMENT ACCESS TILE
- ⊞ ACCESS PANEL

**FIRE SPRINKLERS**

- UPRIGHT SPRINKLER
- PENDENT SPRINKLER
- CONCEALED SPRINKLER
- DRY PENDENT SPRINKLER
- ▽ DRY SIDEWALL SPRINKLER
- ▽ SIDEWALL SPRINKLER

**FIRE SPRINKLER PIPING**

- FP— FIRE PROTECTION (FP)
- S— SHUTOFF VALVE
- C— CHECK VALVE
- B— BACKFLOW PREVENTER
- CAP— CAP
- E— ELBOW UP
- D— ELBOW DOWN
- T— TEE UP
- D— TEE DOWN
- F— FIRE DEPARTMENT CONNECTION
- P— FIRE PUMP TEST HEADER
- I— INSPECTOR'S TEST CONNECTION / AUXILIARY DRAIN
- R— SPRINKLER RISER
- T— TOP BEAM CLAMP
- H— TRAPEZE HANGER

**FIRE ALARM**

- FAOP FIRE ALARM CONTROL PANEL/UNIT
- FFSCP FIRE FIGHTER'S SMOKE CONTROL PANEL/UNIT
- FAP FIRE ALARM ANNUNCIATOR PANEL
- VSDA VESDA AIR APRATING SMOKE DETECTOR
- VSP VESDA POWER SUPPLY PANEL
- RPS REMOTE POWER SUPPLY
- RTI REMOTE TEST STATION WITH INDICATING LIGHT
- RLI REMOTE INDICATING LIGHT
- PSI PRESSURE SWITCH LOW/HIGH
- FSI WATERFLOW ALARM SWITCH
- CVI CONTROL VALVE TAMPER SWITCH
- MDO MAGNETIC DOOR HOLD OPEN DEVICE
- CM CONTROL MODULE
- MM MONITOR MODULE
- KI FIRE DEPARTMENT KEY BOX
- PULL STATION
- F FIRE FIGHTER'S PHONE JACK
- HEAT DETECTOR (E INDICATES ELEVATOR RECALL)
- SMOKE DETECTOR (E INDICATES ELEVATOR RECALL)
- SS SINGLE STATION SMOKE DETECTOR
- PB PROJECTED BEAM SMOKE DETECTOR
- DM DUCT MOUNTED SMOKE DETECTOR (SD=SUPPLY/RD=RETURN)
- CMO CARBON MONOXIDE DETECTOR
- AREA OF REFUGE 2-WAY COMMUNICATION SYSTEM
- WNA WALL MOUNTED AUDIBLE NOTIFICATION APPLIANCE #W INDICATES WATTAGE (VOICE EVACUATION SYSTEMS ONLY)
- VNA WALL MOUNTED VISIBLE NOTIFICATION APPLIANCE ## INDICATES CANDELA
- WVA WALL MOUNTED AUDIBLE/VISIBLE NOTIFICATION APPLIANCE ## INDICATES CANDELA #W INDICATES WATTAGE (VOICE EVACUATION SYSTEMS ONLY)
- CVNA CEILING MOUNTED AUDIBLE NOTIFICATION APPLIANCE #W INDICATES WATTAGE (VOICE EVACUATION SYSTEMS ONLY)
- CVVA CEILING MOUNTED VISIBLE NOTIFICATION APPLIANCE ## INDICATES CANDELA
- CVVA CEILING MOUNTED AUDIBLE/VISIBLE NOTIFICATION APPLIANCE ## INDICATES CANDELA #W INDICATES WATTAGE (VOICE EVACUATION SYSTEMS ONLY)
- ELR END OF LINE RESISTOR
- AS ABORT SWITCH
- BELL

**HATCHING LEGEND**

- ENLARGED PLAN
- NOT IN SCOPE (NIS)

**LINETYPE LEGEND**

THROUGHOUT THE DRAWINGS DIFFERENT LINETYPES ARE USED IN COMBINATION WITH THE SYMBOLS TO INDICATE THE STATUS OF ITEMS AS EXISTING, TO BE DEMOLISHED, TO BE INCLUDED AS PART OF NEW WORK AND/OR ITEMS WHICH ARE ANTICIPATED TO BE PROVIDED IN THE FUTURE. THE STATUS OF ITEMS USING THESE LINETYPES ARE RELATIVE TO THE VIEW IN WHICH THEY APPEAR. PHASING SHOWN IN DRAWINGS IS NOT INTENDED TO FULLY DESCRIBE ALL NECESSARY CONSTRUCTION PHASING, WHICH IS DETERMINED BY THE CONTRACTOR AS PART OF THEIR RESPONSIBILITIES. ANY SUCH PHASING DESCRIBED IN THE CONSTRUCTION DOCUMENTS ARE GENERAL AND ONLY INTENDED TO INDICATE A BROAD ORDER FOR THE SAKE OF DESCRIBING THE PROJECT. THE FOLLOWING LINETYPES MAY BE USED ON ANY DEVICE, EQUIPMENT, NOTE, LINE, SHAPE, ETC.

EXISTING	NEW
DEMOLISH	FUTURE

**Sheet List - Fire Protection**

Sheet Number	Sheet Name	Sheet Order
FP000	FIRE PROTECTION GENERAL NOTES AND LEGEND	
FP101	FIRE PROTECTION PLAN - FIRST FLOOR - OVERALL	
FP102	FIRE PROTECTION PLAN - MEZZANINE - JAIL	
FP500	FIRE PROTECTION DETAILS	
Grand total: 4		

**HENDERSON ENGINEERS**  
 8345 LENEVA DRIVE, SUITE 300  
 LENOIR, KS 66214  
 TEL 913.742.2900 FAX 913.742.5001  
 WWW.HENDERSONENGINEERS.COM

2250004109  
 IL CORPORATE NO. 184-002985  
 EXPIRES: 4/30/2025  
 EXPIRES ON: 11/30/2025

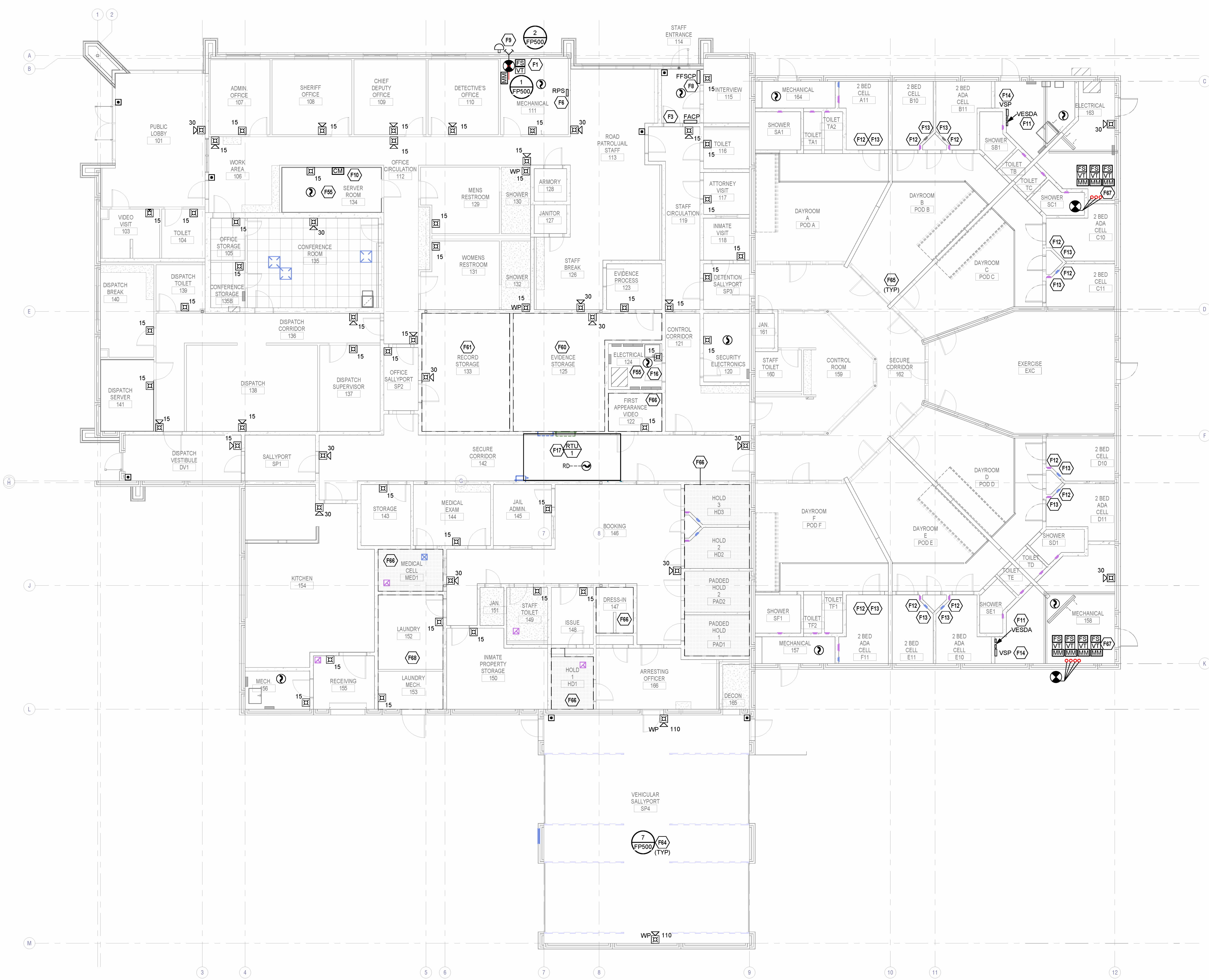
**CHRISTOPHER J. CULP**  
 PROFESSIONAL ENGINEER  
 062-065982

03/01/2024

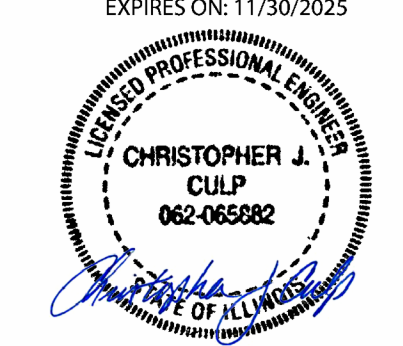
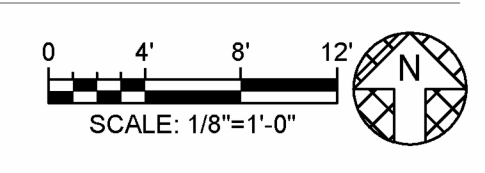
Architect's Name	License #	Date
XXXXXX		03/01/2024
Issue	Date	

**FIRE PROTECTION PLAN NOTES:**

- F1 CONNECT FIRE SPRINKLER MONITORING DEVICES TO FIRE ALARM SYSTEM. COORDINATE QUANTITY AND LOCATION OF DEVICES WITH FIRE PROTECTION SYSTEMS.
- F3 PROVIDE NEW FIRE ALARM CONTROL PANEL.
- F6 PROVIDE NEW FIRE ALARM REMOTE POWER SUPPLY.
- F8 FIREFIGHTER'S SMOKE CONTROL PANEL LOCATION SHOWN FOR REFERENCE. REFER TO MECHANICAL SHEETS FOR MORE INFORMATION.
- F9 CONNECT EXTERIOR WATERFLOW ALARM TO FIRE ALARM SYSTEM. EXTERIOR WATERFLOW ALARM AND FIRE DEPARTMENT CONNECTION SHOWN OFFSET FOR CLARITY. CENTER WATERFLOW ALARM ABOVE FIRE DEPARTMENT CONNECTION.
- F10 PROVIDE CONNECTIONS TO AUTOMATICALLY ACTIVATE SMOKE CONTROL SYSTEM UPON SIGNAL FROM FIRE ALARM CONTROL PANEL.
- F11 PROVIDE (2) VESDA-E VEP SMOKE DETECTORS AT THIS LOCATION. PANELS TO BE PROVIDED TO MONITOR SMOKE. COORDINATE VESDA SMOKE DETECTION ZONES WITH MECHANICAL SMOKE CONTROL ZONES. AT A MINIMUM PROVIDE ONE SMOKE DETECTION ZONE PER POD. REFER TO MECHANICAL SHEETS FOR ADDITIONAL INFORMATION.
- F12 PROVIDE VESDA-E VEP AIR SAMPLING POINT IN EXHAUST DUCT TO EACH INDIVIDUAL CELL TO DETECT SMOKE.
- F13 EACH CELL SHALL BE PROVIDED WITH A 2" DIAMETER HOLE FROM THE CHASE TO THE CELL ABOVE THE SINK AND A 2" DIAMETER HOLE FROM THE CHASE TO THE DAYROOM ABOVE THE CHASE ACCESS DOOR FOR INSTITUTIONAL SIDEWALL SPRINKLERS.
- F14 PROVIDE VESDA VSP POWER SUPPLY TO POWER VESDA E VEP SMOKE DETECTORS.
- F16 PROVIDE LOW VOLTAGE WIRING FROM DUCT DETECTOR TO REMOTE TEST STATION. MOUNT REMOTE TEST STATION ON WALL AT 48" AFF. LABEL FOR EQUIPMENT SERVED.
- F17 PROVIDE EQUIPMENT AND CONNECTIONS NECESSARY TO SHUTDOWN FAN POWERED MECHANICAL AIR HANDLING EQUIPMENT WITH A DESIGN CAPACITY LESS THAN 2000 CFM. REFER TO SEQUENCE OF OPERATION FOR ADDITIONAL INFORMATION.
- F55 DO NOT ROUTE SPRINKLER PIPING ABOVE ELECTRICAL PANELS.
- F60 PROVIDE SPRINKLER PROTECTION IN ACCORDANCE WITH NFPA 13 FOR EXTRA HAZARD GROUP I. UTILIZE THE ROOM DESIGN METHOD AS OUTLINED IN CHAPTER 11 IN CONJUNCTION WITH INCREASED PASSIVE FIRE PROTECTION. REFER TO ARCHITECT CODE SHEET FOR ADDITIONAL INFORMATION.
- F61 PROVIDE SPRINKLER COVERAGE FOR ORDINARY HAZARD II IN ACCORDANCE WITH NFPA 13.
- F64 INSTALL SPRINKLER PROTECTION BELOW GARAGE ROLLUP DOORS.
- F65 INSTITUTIONAL TYPE SIDEWALL SPRINKLERS SHALL BE PROVIDED TO PROTECT THE INMATE CELLS AND BELOW THE SECOND LEVEL WALKWAY ON THE EXTERIOR OF THE CELLS. ALL SPRINKLERS SHALL BE INSTALLED IN MANUFACTURER PROVIDED SPRINKLER PENETRATION FROM THE CELL CHASE. ALL SPRINKLER PIPING SHALL BE ROUTED THROUGH CELL CHASE TO SUPPLY SPRINKLERS.
- F66 PROVIDE INSTITUTIONAL TYPE (TAMPER RESISTANT) SPRINKLERS IN ALL AREAS ACCESSIBLE TO INMATES.
- F67 PROVIDE FIRE SPRINKLER MANIFOLD WITH DEDICATED RISERS, CONTROL VALVES AND FLOW SWITCHES FOR EACH SMOKE CONTROL ZONE. FLOW SWITCH SHALL ACTIVATE SMOKE EVACUATION FOR THAT ZONE. REFER TO MECHANICAL SHEETS FOR SMOKE CONTROL ZONES.
- F68 PROTECT AREA INDICATED AS ORDINARY HAZARD 2 IN ACCORDANCE WITH NFPA 13.

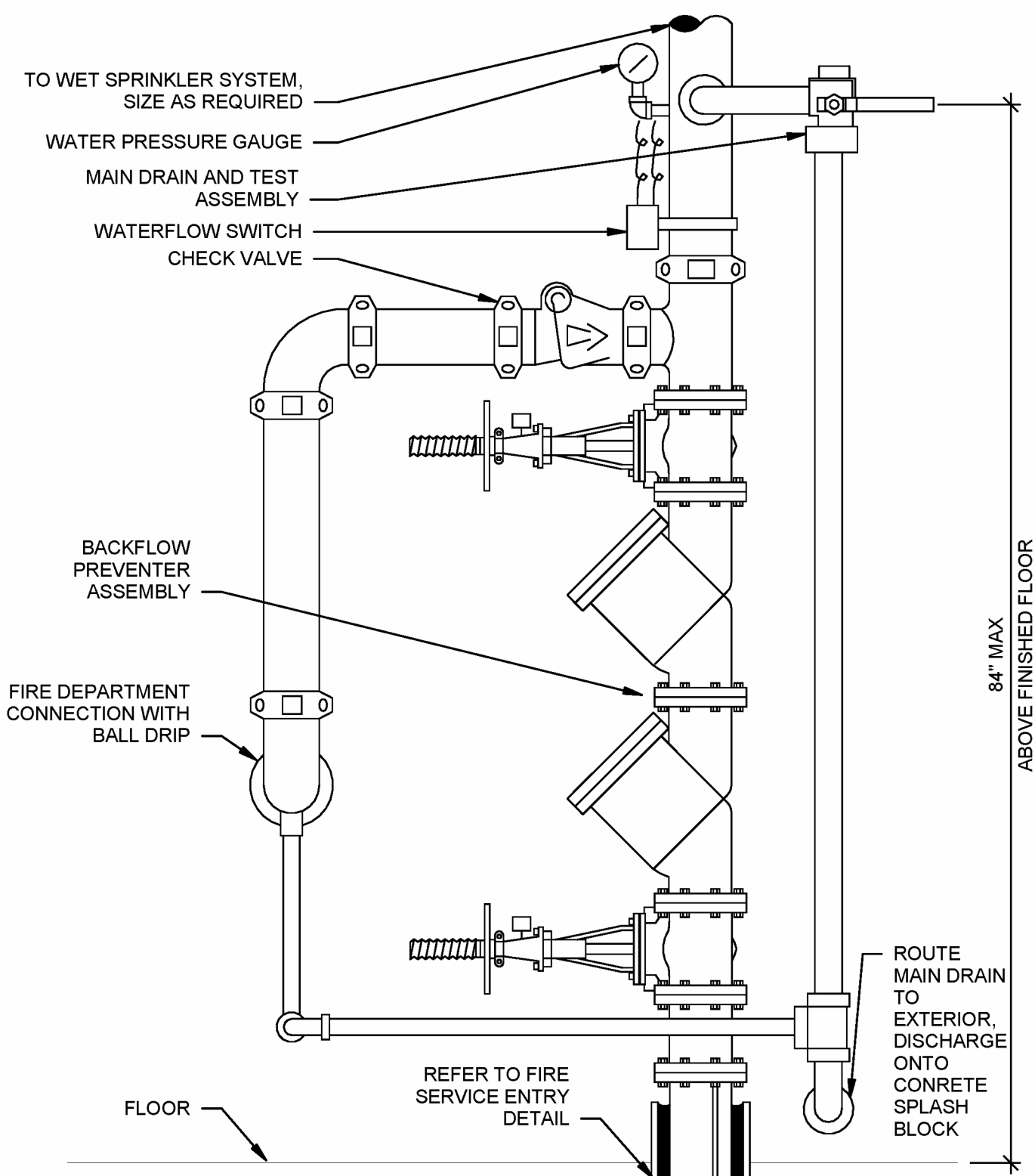


**1 FIRE PROTECTION PLAN - FIRST FLOOR - OVERALL**  
1/8" = 1'-0"

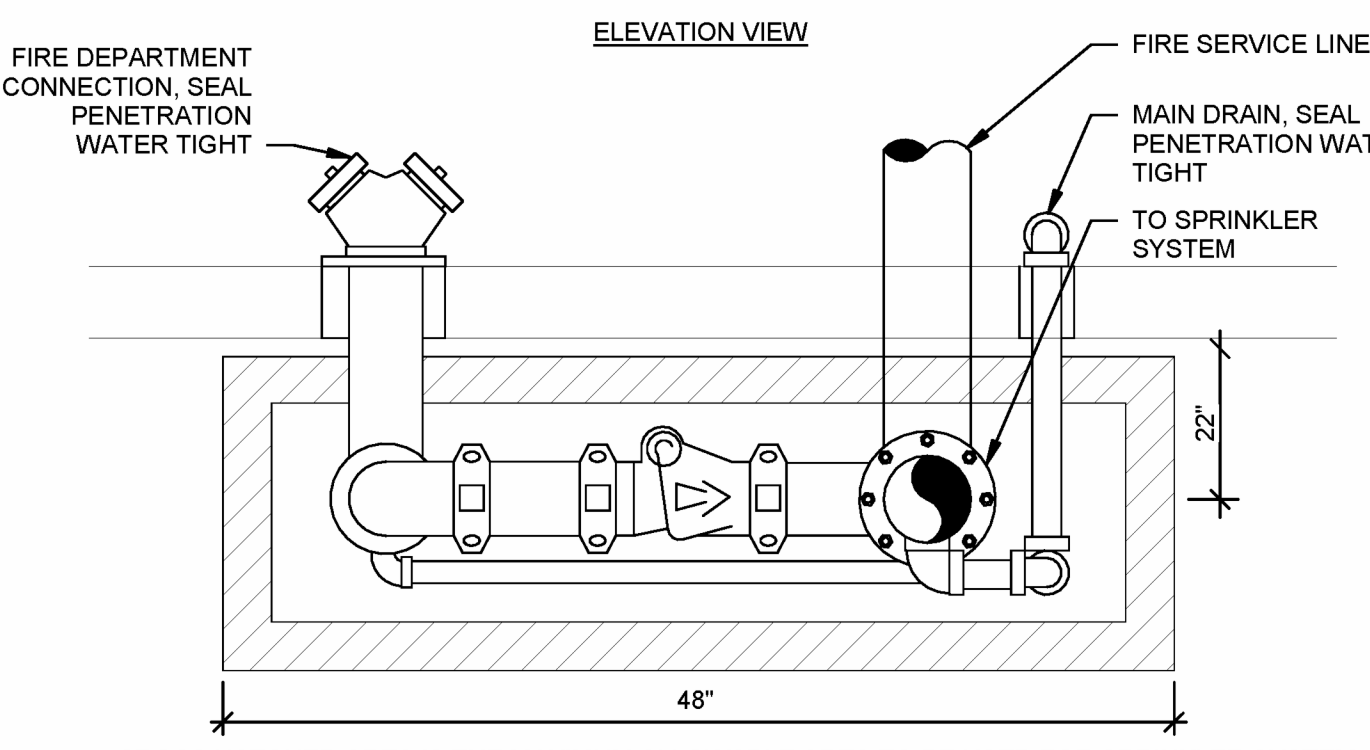


03/01/2024



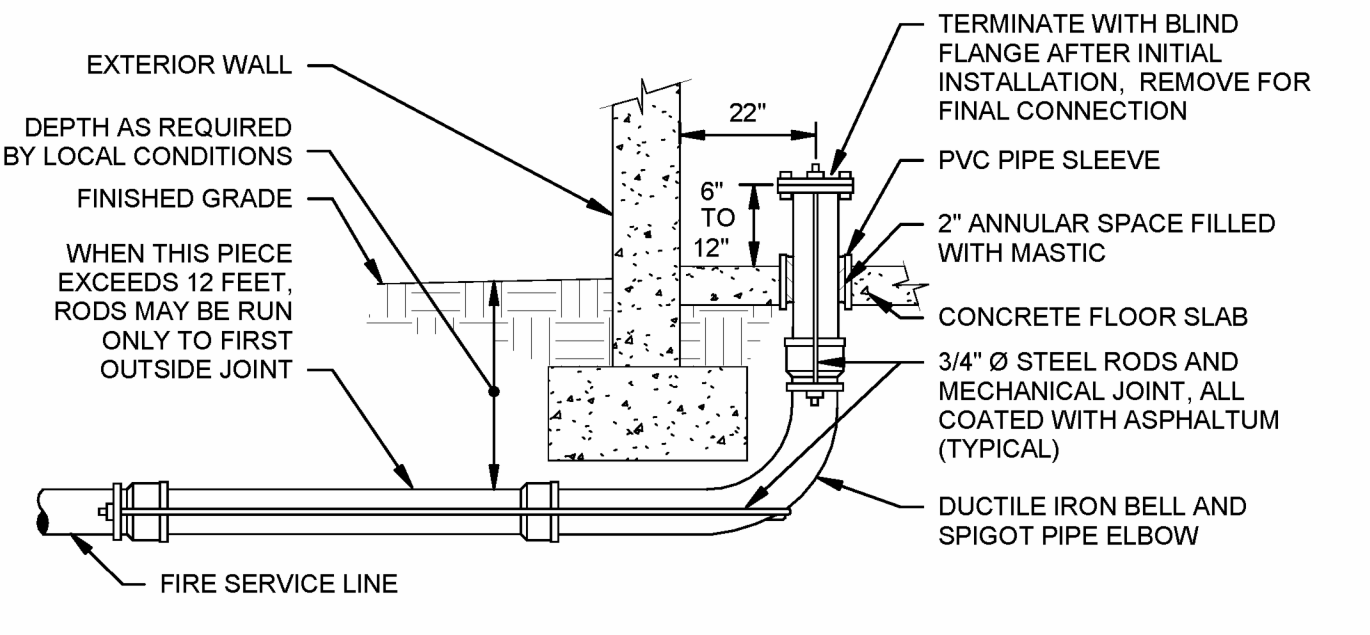


ARRANGEMENT SHOWN IS SCHEMATIC. MODIFY TO SUIT CONDITIONS AND MEET APPLICABLE CODE REQUIREMENTS. COORDINATE INSTALLATION OF ALARM DEVICES WITH OTHER TRADES.



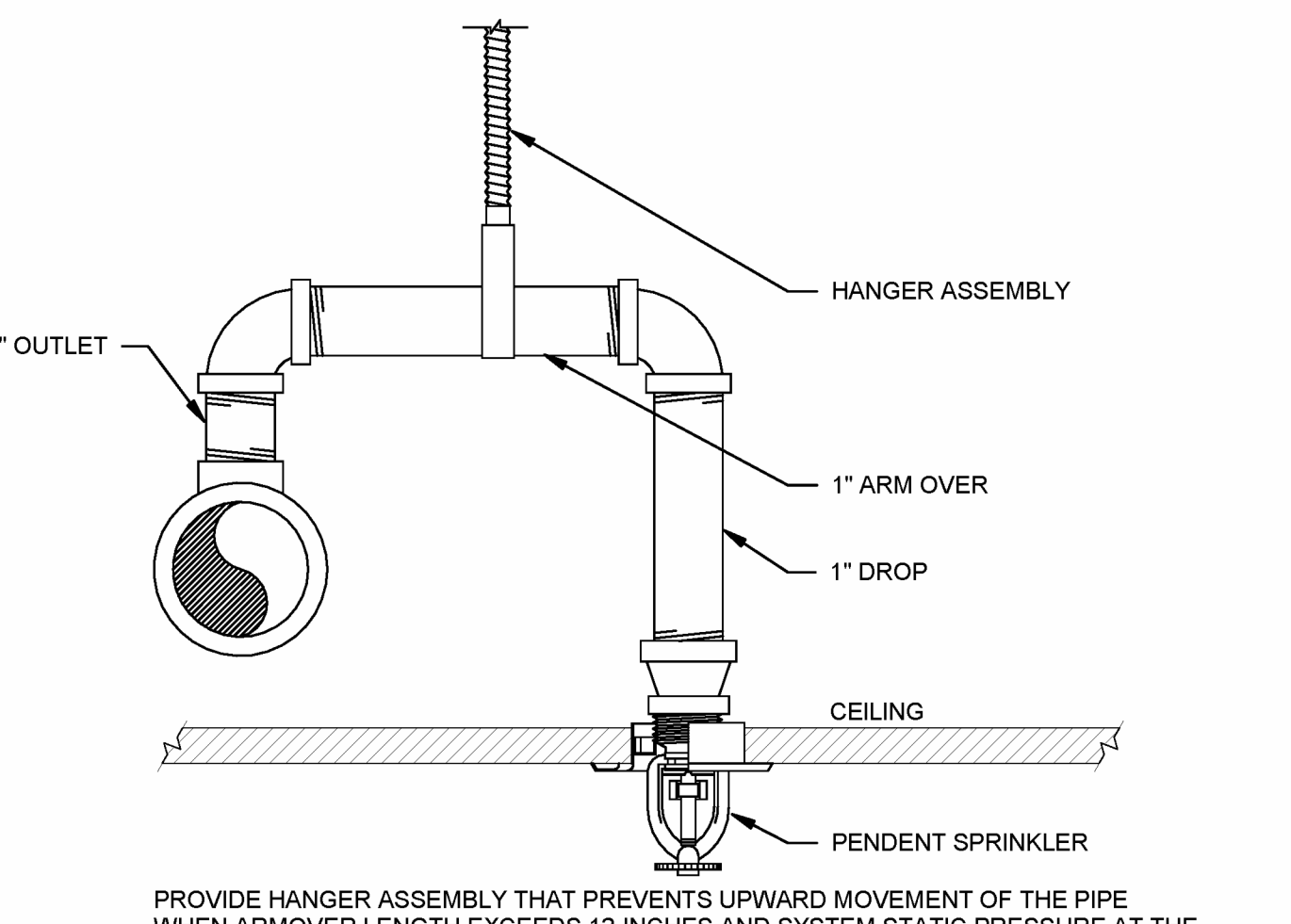
CROSS HATCHED AREA IS THE MAXIMUM ALLOWABLE AREA TO BE USED FOR SPRINKLER SYSTEM RISER AND BACKFLOW PREVENTER. INSTALLATION MUST ALLOW FOR ALL REQUIRED MAINTENANCE ACCESS WITHIN CROSS HATCHED AREA.

**1 FIRE PROTECTION WET PIPE**  
NTS



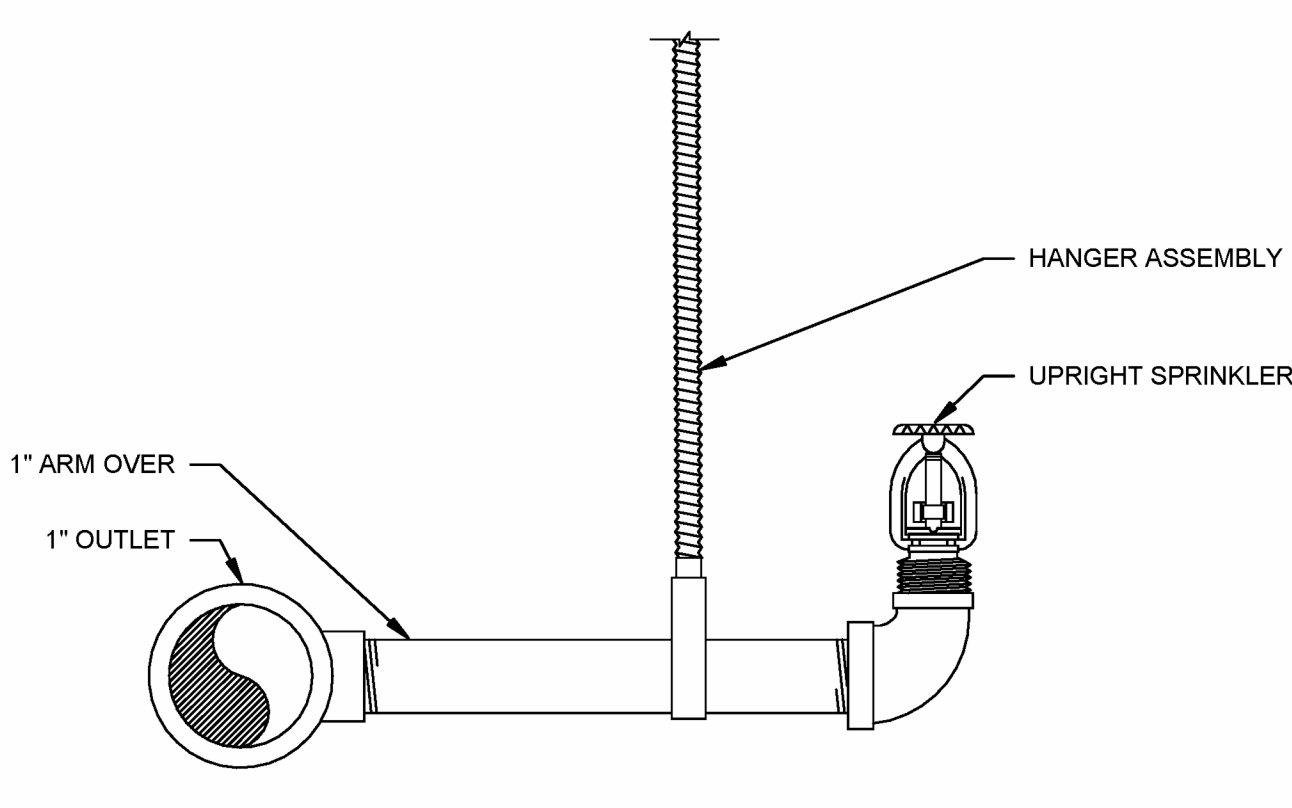
ARRANGEMENT SHOWN IS SCHEMATIC. MODIFY TO SUIT FIELD CONDITIONS AND MEET APPLICABLE CODE REQUIREMENTS. VERIFY FOUNDATION WITH ARCHITECTURAL DRAWINGS. COORDINATE WHO IS TO PROVIDE THE FIRE SERVICE ENTRY WITH THE GENERAL CONTRACTOR OR CONSTRUCTION MANAGER PRIOR TO SUBMITTING BID.

**2 FIRE SERVICE ENTRY**  
NTS



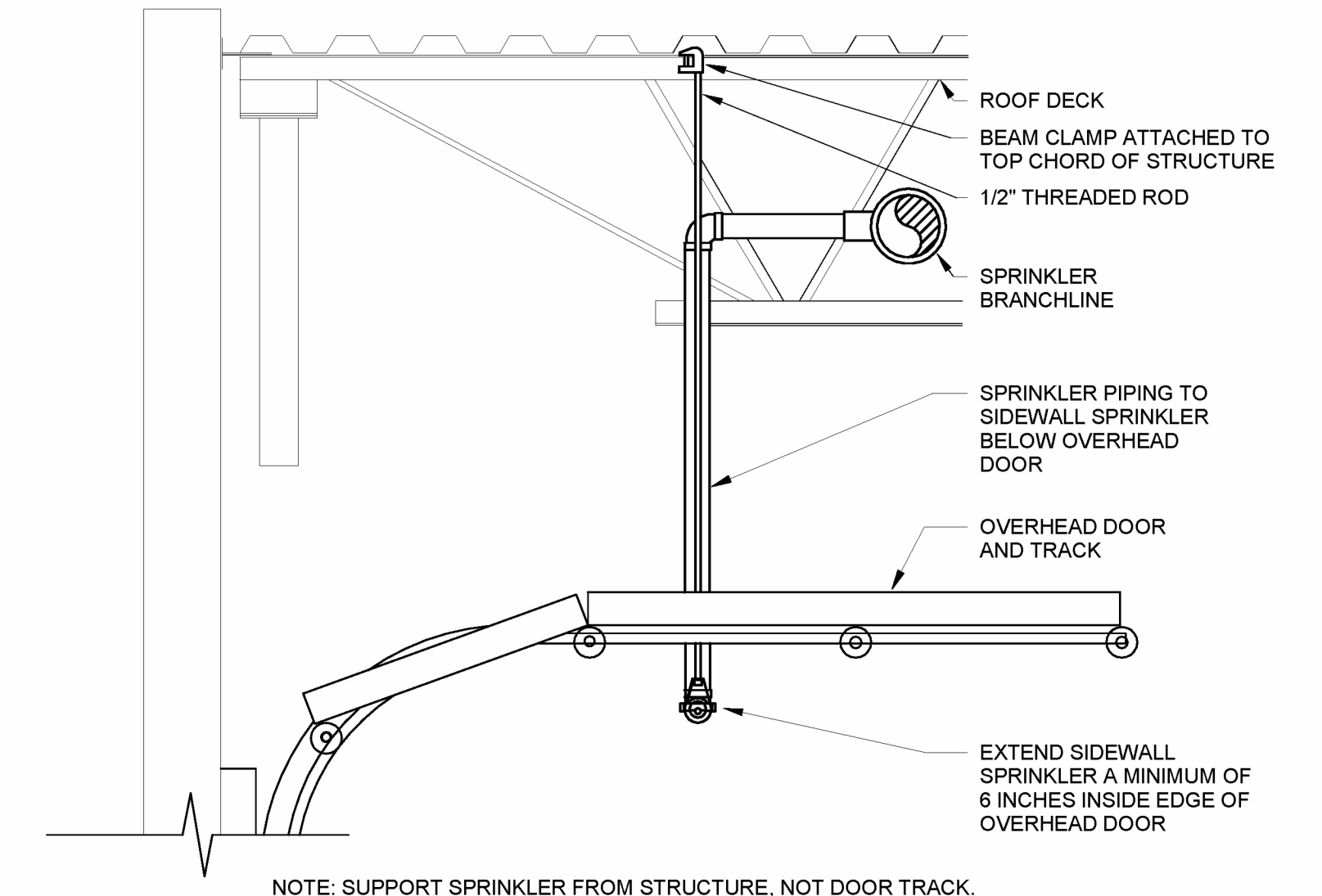
ARRANGEMENT SHOWN IS SCHEMATIC. MODIFY TO SUIT CONDITIONS AND MEET APPLICABLE CODE REQUIREMENTS.

**3 PENDENT SPRINKLER**  
NTS



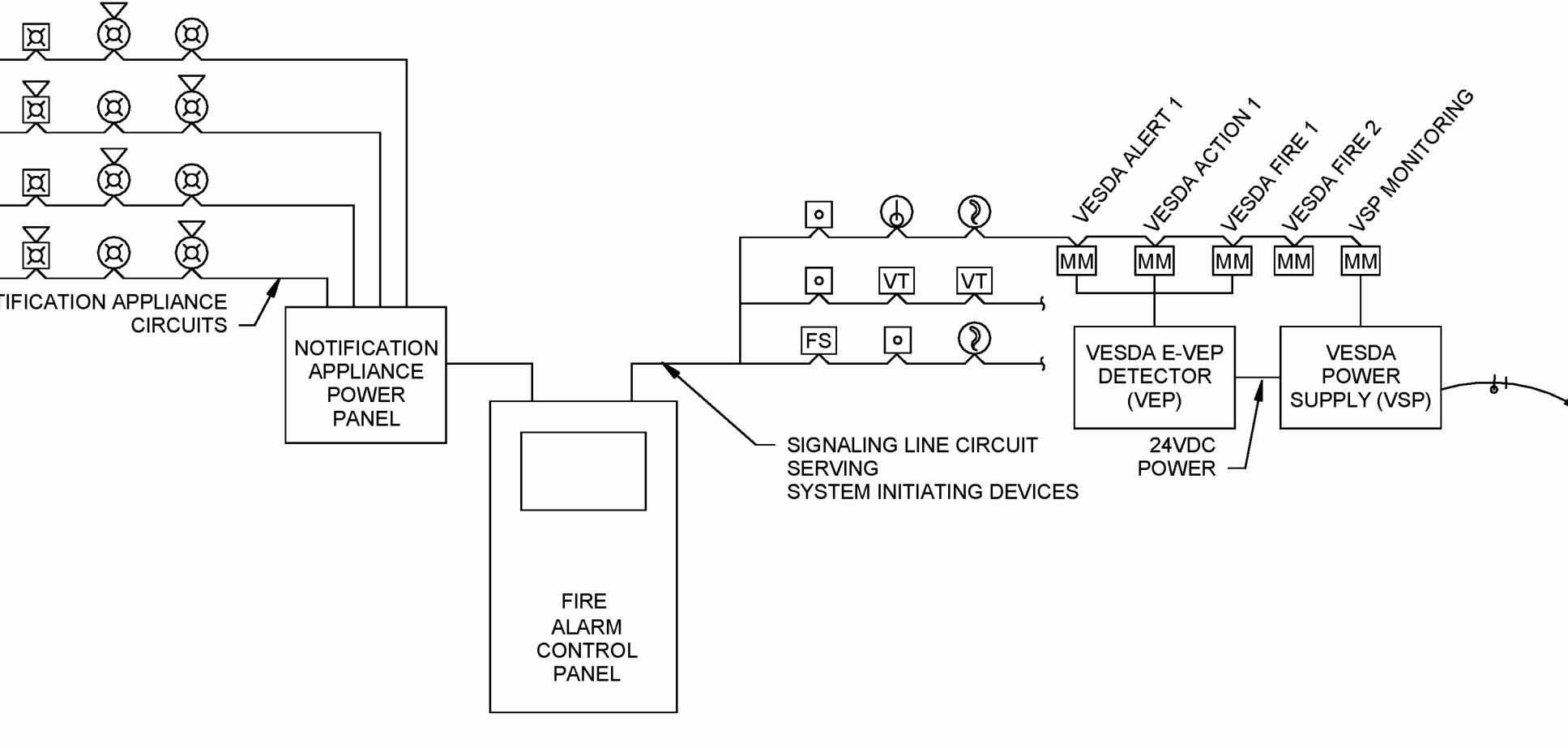
PROVIDE HANGER WHEN ARMOR LENGTH EXCEEDS 24 INCHES. ARRANGEMENT SHOWN IS SCHEMATIC. MODIFY TO SUIT CONDITIONS AND MEET APPLICABLE CODE REQUIREMENTS.

**4 UPRIGHT SPRINKLER**  
NTS



NOTE: SUPPORT SPRINKLER FROM STRUCTURE, NOT DOOR TRACK.

**7 OVERHEAD ROLL-UP DOOR SPRINKLER DETAIL**  
NTS



RISER DIAGRAM IS SCHEMATIC IN NATURE. NOT ALL DEVICES ARE SHOWN. REFER TO PLANS FOR EQUIPMENT QUANTITIES AND LOCATIONS. REFER TO PLANS AND SPECIFICATIONS FOR ADDITIONAL INFORMATION.

**5 FIRE ALARM RISER DIAGRAM - ADDRESSABLE SYSTEM (NON-VOICE)**  
NTS

SYSTEM INPUTS	PRIORITY		SYSTEM OUTPUTS									
	ALARM	TRouble	REPORT TO FIRE ALARM CONTROL PANEL	ACTIVATE GENERAL FIRE ALARM (DIRECTIONS: NO NOTIFICATION APPLIANCES)	SHUTDOWN INDIVIDUAL FAN POWERED MECHANICAL AIR HANDLING EQUIPMENT AND DAMPER(S)	SHUTDOWN ALL FAN POWERED MECHANICAL AIR HANDLING EQUIPMENT FOR AFFECTED ZONE AREAS	SHUTDOWN TENANT AUDIO / VIDEO SYSTEM(S) IN COMMON AREAS	SHUTDOWN TENANT AUDIO / VIDEO SYSTEM(S) IN COMMON AREAS	SHUTDOWN TENANT AUDIO / VIDEO SYSTEM(S) IN COMMON AREAS	SHUTDOWN TENANT AUDIO / VIDEO SYSTEM(S) IN COMMON AREAS	SHUTDOWN TENANT AUDIO / VIDEO SYSTEM(S) IN COMMON AREAS	SHUTDOWN TENANT AUDIO / VIDEO SYSTEM(S) IN COMMON AREAS
SIGNALING LINE OR NOTIFICATION APPLIANCE CIRCUIT - OPEN												
SIGNALING LINE OR NOTIFICATION APPLIANCE CIRCUIT - SHORT												
SIGNALING LINE OR NOTIFICATION APPLIANCE CIRCUIT - GROUND												
FIRE ALARM CONTROL PANEL LOSS OF POWER												
MANUAL PULL STATION												
SMOKE DETECTOR - SPOT TYPE												
SMOKE DETECTOR - DUCT MOUNTED												
HEAT DETECTOR - SPOT TYPE												
WATERFLOW ALARM SWITCH												
VALVE TAMPER SWITCH												
VESDA SMOKE DETECTOR - TROUBLE CONDITION												
VESDA SMOKE DETECTOR - ALERT 1												
VESDA SMOKE DETECTOR - ACTION 1												
VESDA SMOKE DETECTOR - FIRE 1												
VESDA POWER SUPPLY - LOSS OF POWER												

CONTRACTOR TO PROVIDE ALL NECESSARY EQUIPMENT AND CONNECTIONS REQUIRED TO ACCOMPLISH THE FUNCTIONS INDICATED, AT MINIMUM. SEQUENCE OF OPERATIONS INDICATED IS SCHEMATIC. MODIFY TO SUIT CONDITIONS AND MEET APPLICABLE CODE REQUIREMENTS.

**6 FIRE ALARM SEQUENCE OF OPERATIONS**  
NTS

Sheet List - Electrical table with columns: Sheet Number, Sheet Name, and list of sheets E000 to E700.

ELECTRICAL SYMBOLS

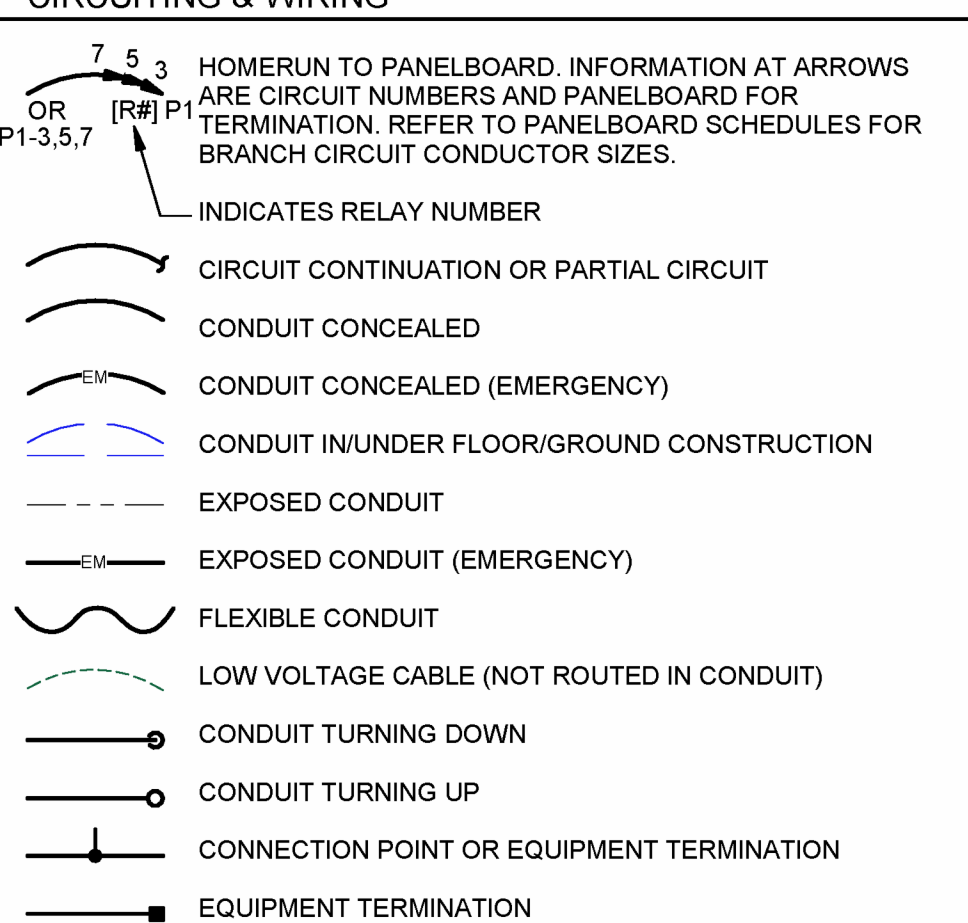
THIS IS A MASTER LEGEND AND NOT ALL SYMBOLS OR ABBREVIATIONS ARE USED.

Table with columns: STANDARD MOUNTING HEIGHTS, ANNOTATION, LIGHTING, BOXES, LIGHTING CONTROL & WIRING DEVICES, ELECTRICAL ONE-LINE & RISER DIAGRAM. Includes symbols for alarm, equipment, lighting, and electrical components.

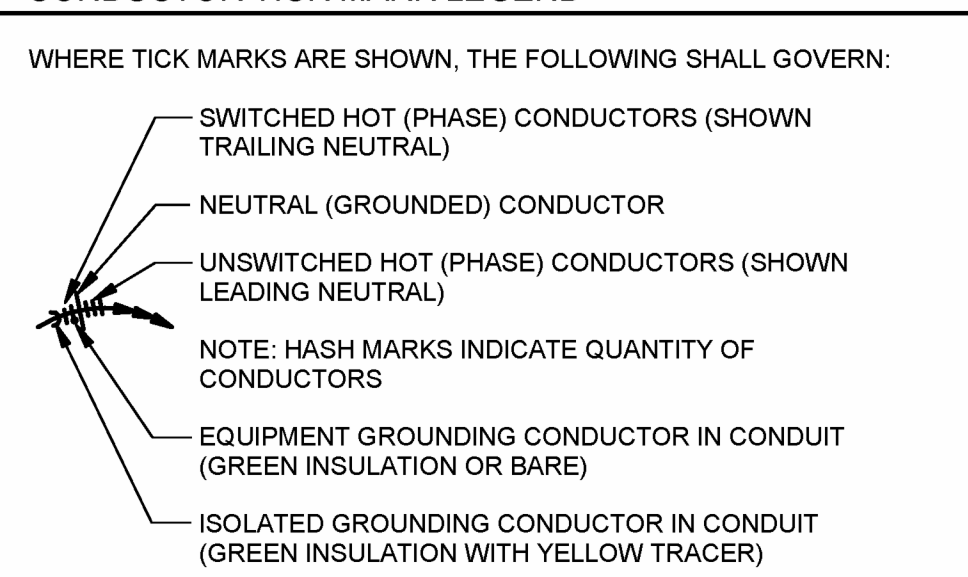
ABBREVIATIONS

Table of abbreviations for electrical symbols, organized into columns: AF (Amper Fuse Size), MFR (Manufacturer), AIC (Amper Interrupting Capacity), etc.

CIRCUITING & WIRING



CONDUCTOR TICK MARK LEGEND



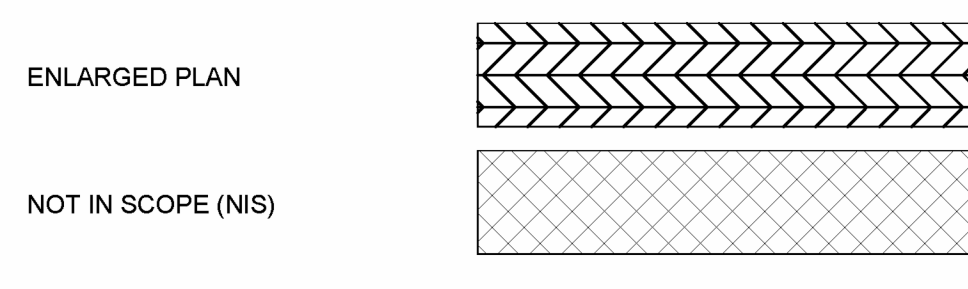
BRANCH CIRCUIT CONDUCTOR TABLE

Table with columns: # OF POLES, HOT (PHASE), NEUTRAL, GROUNDING, and GROUNDING. Lists conductor counts for 1P, 2P, and 3P.

LINETYPE LEGEND

Text describing linetype usage for existing, demolition, new, and future items, including Article 700 and 701 references.

HATCHING LEGEND



\* APPLIES TO COLOR PLOTS ONLY

FLOOR BOX SCHEDULE

Table with columns: PLAN MARK, MANUFACTURER, ALTERNATE MANUFACTURER, TRIM, COVER, DESCRIPTION, POWER (Device Qty, Type, Conduit), DATA (Conduit Qty, Size), and NOTES.

General Notes and Notes for the Floor Box Schedule, including product fit and finish requirements.

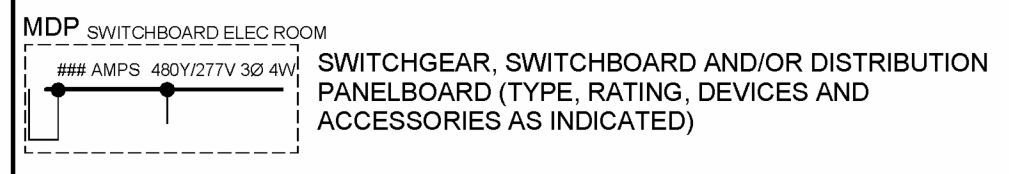


Table of electrical symbols for ammeters, voltmeters, transformers, relays, and other devices, including their ratings and applications.





**ELECTRICAL PLAN NOTES:**  
 E11 MEZZANINE FLOOR OUTLINE, APPROXIMATE.  
 EL36 JW1 FIXTURES ON THIS CIRCUIT SHALL BE WIRED AS UNSWITCHED NIGHT LIGHTS.  
 EL37 REFER TO BOOKING LIGHTING CONTROL DETAIL FOR SPACE.  
 EL38 ICC 500 SHELTER AREA.  
 EL39 REFER TO SHEET E102 FOR LIGHTING OVER THIS AREA.



7420 W 110th Street, Suite 200  
 Overland Park, Kansas 66210  
 913.451.5075 phone  
 913.451.5080 fax  
 hmnarchitects.com

**KLINGNER & ASSOCIATES, P.C.**  
 Engineers • Architects • Surveyors  
 604 LIBERTY ST., SUITE 125  
 PELLA, IA 50219  
 515.612.7402  
 www.klingner.com

Henderson Engineers  
 330 S. Central Ave., Suite 200  
 Chicago, IL 60607  
 312.467.0900  
 CHADLER & ASSOCIATES, LLC  
 330 S. Central Ave., Suite 200  
 Chicago, IL 60607  
 312.467.0900

**BID & PERMIT**

**EDGAR COUNTY PUBLIC SAFETY CENTER**  
 EDGAR COUNTY, ILLINOIS  
 12636 950TH ROAD  
 PAFIS, ILLINOIS 61944  
**21003.003**

**BID & PERMIT**

Architect's Name  
 License # XXXXX  
 Date: 03/01/2024

**HENDERSON ENGINEERS**  
 8345 LENEVA DRIVE, SUITE 300  
 LENOIRA, IL 62424  
 TEL 913.742.9500 FAX 913.742.5001  
 WWW.HENDERSONENGINEERS.COM  
 2250004109  
 IL CORPORATE NO. 184-002965  
 EXPIRES 4/30/2025  
 EXPIRES ON 11/30/2025

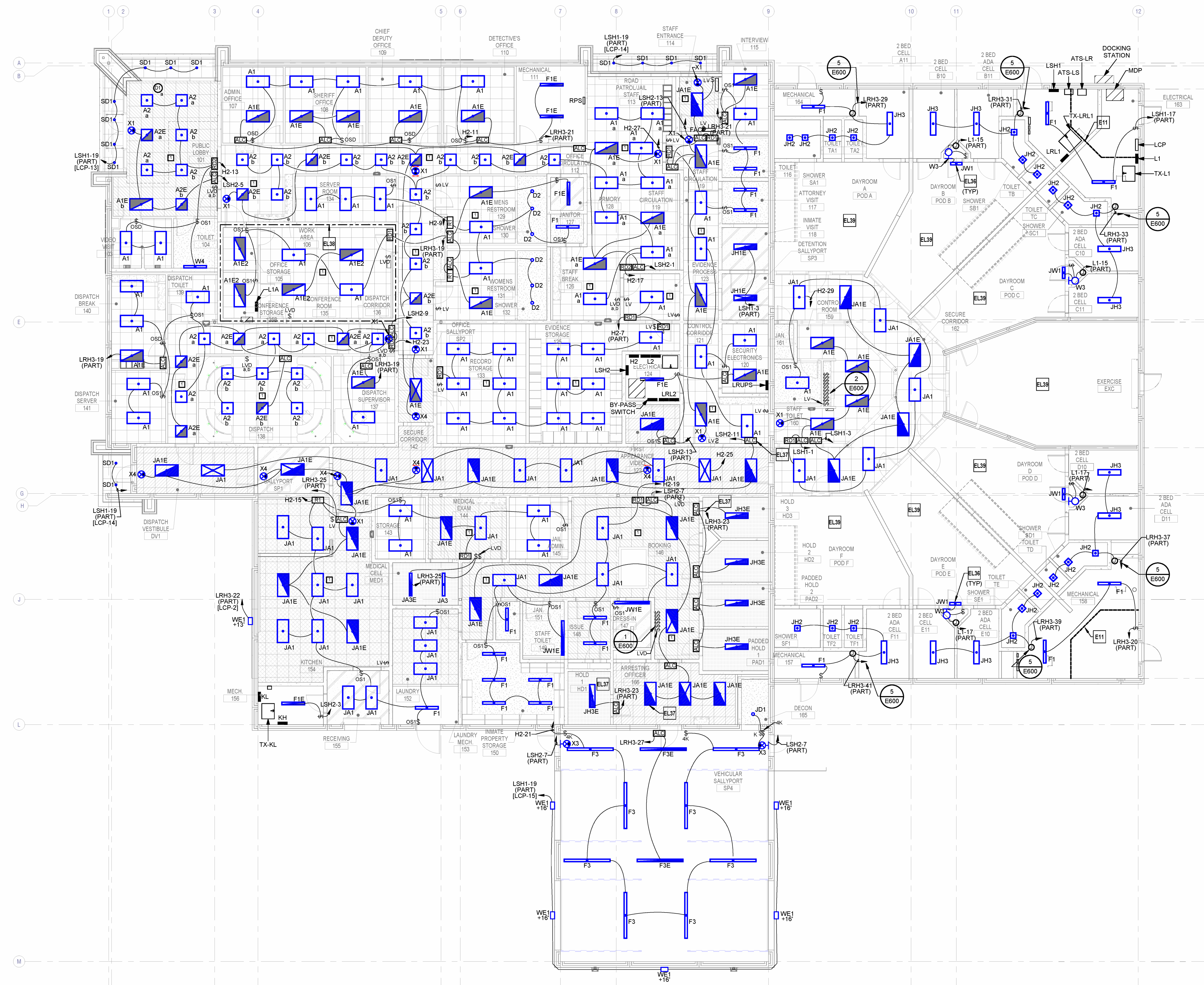
**HENDERSON ENGINEERS**  
 8345 LENEVA DRIVE, SUITE 300  
 LENOIRA, IL 62424  
 TEL 913.742.9500 FAX 913.742.5001  
 WWW.HENDERSONENGINEERS.COM  
 2250004109  
 IL CORPORATE NO. 184-002965  
 EXPIRES 4/30/2025  
 EXPIRES ON 11/30/2025



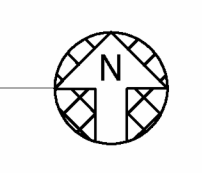
Drawn by: Author  
 Copyright © 2024 by HMN Architects, Inc.

**LIGHTING FIRST FLOOR PLAN - OVERALL**

**E101**



1 LIGHTING FIRST FLOOR PLAN - OVERALL  
 1/8" = 1'-0"



MICHAEL T. DERWENTER





**LIGHT FIXTURE SCHEDULE - SITE**

TYPE	MANUFACTURER	SERIES / MODEL	APPROVED ALTERNATES	SOURCE			DIMMING TYPE	VOLTAGE	INPUT WATTS	INPUT VA	DESCRIPTION	NOTES	
				TYPE	CRI	CCT							
SD1	H.E. WILLIAM	6DR-L20-8-40-DIM-UNV-L-W-OF-CS-WETACC	LITHONIA, COOPER	LED	80	4000	2000	0-10V	277	19	21	6" DIAMETER RECESSED DOWNLIGHT, FLUSH LENS, WIDE DISTRIBUTION, 1/2" FLANGE, CLEAR SEMI-SPECULAR FINISH, WET LOCATION OPTION, DIE CAST ALUMINUM HOUSING.	RECESSED
SF1	WE-EF	665-3120	LITHONIA, BEGA	LED	80	3000	2445	0-10V	277	28	31	SURFACE MOUNTED LED FLOODLIGHT, PROVIDE 265-9312 SP2-2/M PIPE CLAMP, DOUBLE.	MOUNTED IN GRADE
SF2	WE-EF	665-3120-WW	LITHONIA, BEGA	LED	80	3000	2575	0-10V	277	28	31	SIMILAR TO TYPE SF1 BUT WALL WASH OPTION.	MOUNTED IN GRADE
SP1	COOPER LIGHTING	GALN-SA3-A-740-U-T2-BK	LITHONIA	LED	70	4000	13730	NONE	277	93	103	16" WIDE, 22" LONG, 4" TALL, POLE MOUNTED AREA LIGHT, TYPE 2 DISTRIBUTION, STANDARD POLE MOUNT, BLACK FINISH.	MOUNTED 25' ABOVE GRADE ON A STEEL ROUND POLE.
WE1	COOPER LIGHTING	IST-SA1-D-740-U-T4W-BK-TR	LITHONIA	LED	70	4000	2780	0-10V	277	20	22	16" S" WIDE, 9" LONG, 7" TALL, TRAPEZOID WALL SCONCE, 1 SQUARE LED, TYPE IV WIDE OPTICS, BLACK FINISH, HEAVY WALL, DIE-CAST ALUMINUM HOUSING WITH REMOVABLE DOOR FRAME, PROVIDE WITH TAMPER RESISTANT SCREWS.	COORDINATE MOUNTING HEIGHTS WITH PLANS.

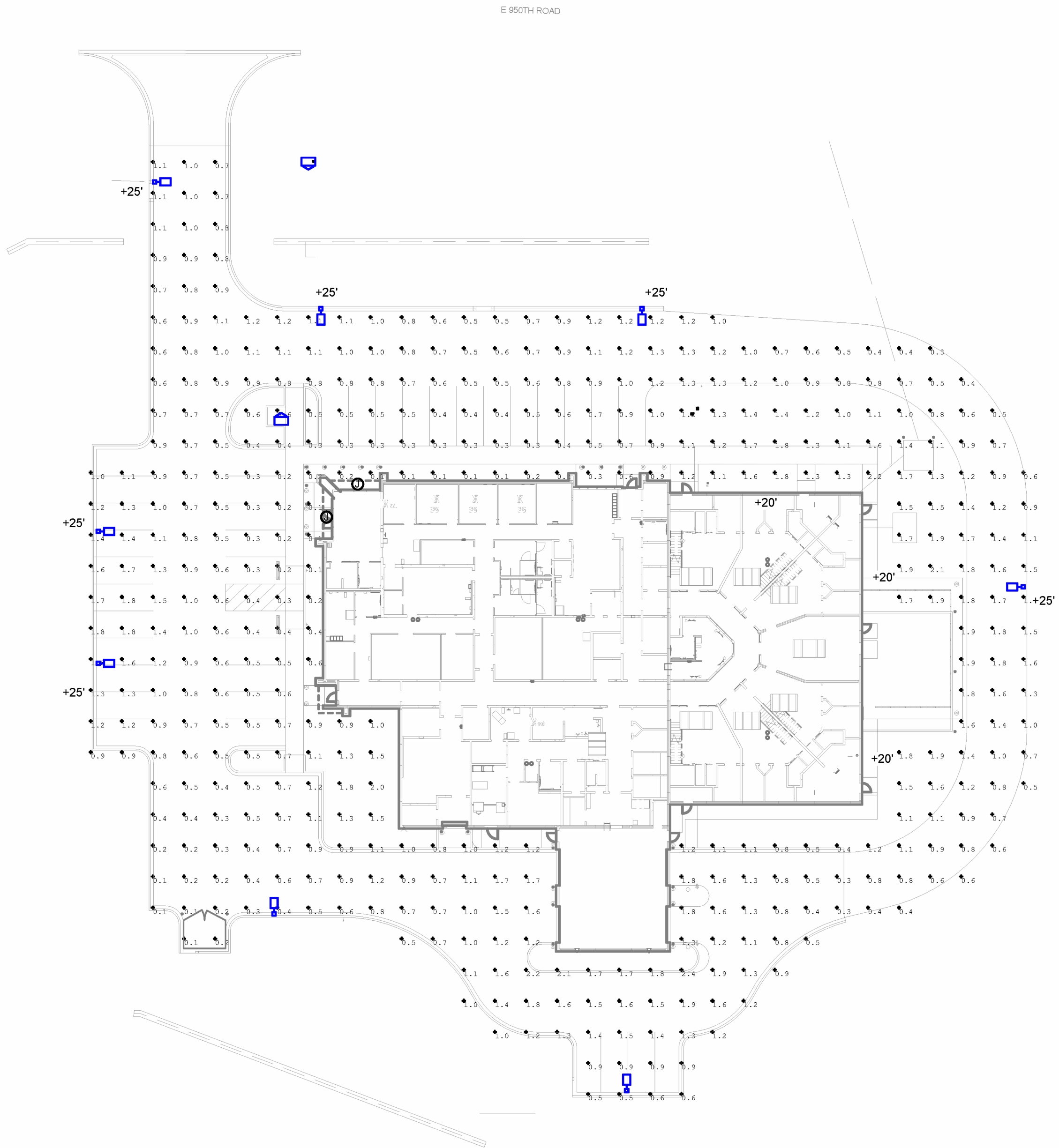
**PHOTOMETRIC STATISTICS**

AREA	AVERAGE FC	MAXIMUM FC	MINIMUM FC	AVERAGE MIN	MAX MIN
PARKING LOT	0.94	2.40	0.10	0.40	24.00

GENERAL NOTES:  
FC = FOOT CANDLE

**SITE ELECTRICAL GENERAL NOTES:**

- THE SITE LIGHTING IS DESIGNED TO MEET THE FOLLOWING CRITERIA:
  - PHOTOMETRIC CALCULATION GRID SHALL NOT EXCEED A 10' X 10' SPACING.
  - THE TOTAL LIGHT LOSS FACTOR USED FOR THE CALCULATIONS SHALL BE 8 OF INITIAL LUMEN OUTPUT FOR LED SOURCES.
  - MAXIMUM LUMINAIRE MOUNTING HEIGHT (INCLUDING POLE AND BASE) OF 20' ABOVE FINISHED GRADE.



1 ELECTRICAL SITE LIGHTING PLAN  
1" = 30'-0"

Project	2350001543	Catalog #	GALN-SA3-A-740-U-T2	Type	II
Prepared by		Notes		Date	10/17/2023

**McGraw-Edison**  
**GALN Galleon II**  
Area / Site Luminaire

**Product Features**

**Product Certifications**

**Interactive Menu**

- Ordering Information page 2
- Mounting Details page 3
- Optical Distributions page 5
- Product Specifications page 6
- Energy and Performance Data page 6
- Control Options page 11

**Quick Facts**

- Lumen packages range from 3,300 - 73,500 (33W - 552W)
- 17 optical distributions
- Efficacy up to 159 lumens per watt

**Dimensional Details**

Standard Pole Mount Arm

Number of Light Systems	Width "X"	Mounting Length "Y"	Weight with Standard or QW Arm	EPA with Standard or QW Arm
1-4	16"	22"	29 lb	0.95
5-6	22"	22"	39 lb	0.95
7-9	22"	28-1/8"	48 lb	1.1

**Connected Systems**

- WaveLinx Lite
- WaveLinx

**COOPER**  
Lighting Solutions

PS303001EN page 1  
September 26, 2023 12:27 PM

Project	2350001543	Catalog #	IST-SA1-D-T4W	Type	
Prepared by		Notes		Date	

**McGraw-Edison**  
**Impact Elite LED**  
Wall Mount Luminaire

**Product Certifications**

**Interactive Menu**

- Ordering Information page 3
- Product Specifications page 2
- Energy and Performance Data page 3
- Control Options page 4

**Quick Facts**

- 15 Optical Distributions
- Lumen packages range from 2,459 to 11,480 (20W - 95W)
- Efficacy up to 149 lumens per watt

**Dimensional Details**

Cylinder, Quarter Sphere, Wedge, Hook-in-Lock

**Connected Systems**

- WaveLinx
- Enlighted

**COOPER**  
Lighting Solutions

PS303001EN page 1  
December 16, 2023 10:17 AM

- ELECTRICAL PLAN NOTES:
E8 PROVIDE POWER FOR AUTOMATIC CONTROLLED SUBSTANCE DISPENSER. COORDINATE EXACT POWER REQUIREMENTS WITH OWNER PROVIDED EQUIPMENT PRIOR TO ROUGH-IN.
E9 PROVIDE POWER FOR COFFEE MAKER. COORDINATE EXACT POWER REQUIREMENTS WITH OWNER PROVIDED EQUIPMENT PRIOR TO ROUGH-IN.
EP1 ROOM/AREA SHALL BE CONSIDERED A SECURE AREA AND SHALL MEET ALL ELECTRICAL REQUIREMENTS OF A SECURE AREA INCLUDING BUT NOT LIMITED TO SECURITY COVERPLATES WITH TAMPERPROOF TORX SCREWS, SAFETY-TYPE, TAMPER RESISTANT RECEPTACLES AND SECURITY TYPE KEYED SWITCHES.
EP2 PROVIDE CHASE RECEPTACLE GANGED IN SAME BOX AS LIGHT SWITCH FOR CHASE LIGHTING. PROVIDE VOLTAGE BARRIER AS REQUIRED.
EP3 DISPLAY HEIGHTS SHALL BE COORDINATED WITH ARCHITECT AND OWNER PRIOR TO ROUGH-IN.
EP6 ALL RECEPTACLES IN ADA CELLS SHALL BE TAMPER RESISTANT WITH VANDAL PROOF COVER PLATES.
EP11 PROVIDE WIREMOLD SERIES 4000 DUAL CHANNEL RACEWAY, OR APPROVED EQUAL, WITH DUPLEX OUTLETS AT 12" O.C. ALTERNATE OUTLETS BETWEEN NORMAL CIRCUIT AND STANDBY CIRCUIT. LOCATE WIREMOLD JUST BELOW COUNTERTOP. COORDINATE DATA OUTLET LOCATIONS WITH TECHNOLOGY DRAWINGS.
EP14 PROVIDE RECEPTACLES CENTERED BETWEEN TOP OF WINDOW AND CEILING FOR SECURITY MONITORS. COORDINATE EXACT LOCATION OF RECEPTACLES WITH SECURITY CONTRACTOR PRIOR TO ROUGH-IN.
EP47 PROVIDE POWER CONNECTION TO DOOR OPERATOR ON INDICATED CIRCUIT PER MANUFACTURER'S INSTALLATION INSTRUCTIONS. ALL CONTROL WIRING DEVICES AND CONTROLS CONDUIT ASSOCIATED WITH DOOR SHALL BE PROVIDED BY DIVISION 28.
EP48 GENERATOR REMOTE ANNUCIATOR CONTROL PANEL LOCATION. COORDINATE FINAL LOCATION WITH CLIENT PRIOR TO ROUGH-IN.
EP49 GENERATOR EMERGENCY STOP BUTTON LOCATION. COORDINATE FINAL LOCATION WITH OWNER PRIOR TO ROUGH-IN.
EP70 ICC 500 SHELTER AREA.



1 POWER FIRST FLOOR PLAN - OVERALL  
1/8" = 1'-0"



HENDERSON ENGINEERS  
8345 LENEVA DRIVE, SUITE 300  
LENEVA, KS 66214  
TEL 913.742.9500 FAX 913.742.5001  
WWW.HENDERSONENGINEERS.COM

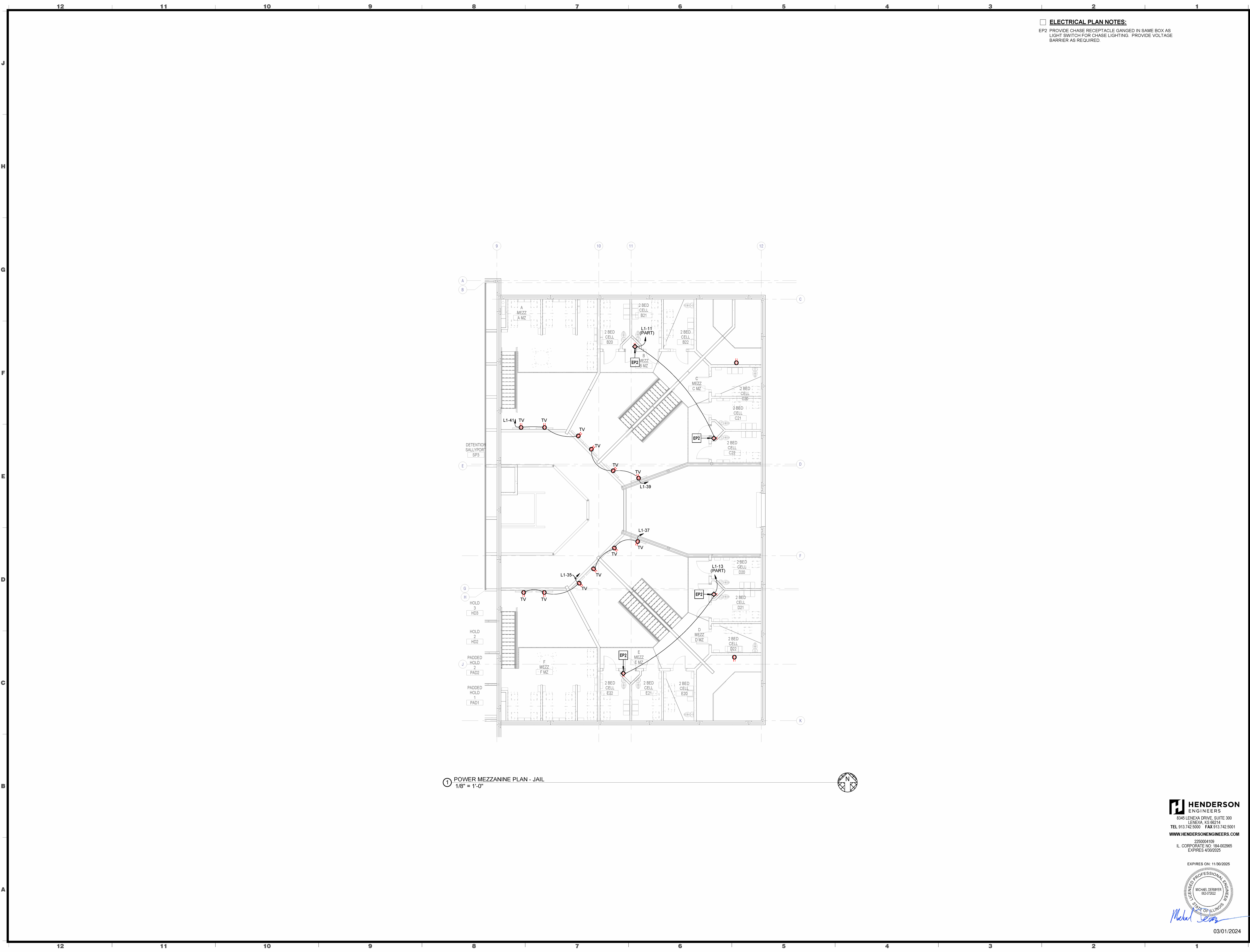
2250004109  
IL CORPORATE NO. 184-002985  
EXPIRES 4/30/2026



EXPIRES ON: 11/30/2025  
MICHAEL DERWER  
98278222

03/01/2024

**ELECTRICAL PLAN NOTES:**  
 EP2 PROVIDE CHASE RECEPTACLE GANGED IN SAME BOX AS LIGHT SWITCH FOR CHASE LIGHTING. PROVIDE VOLTAGE BARRIER AS REQUIRED.



**1** POWER MEZZANINE PLAN - JAIL  
 1/8" = 1'-0"

**EDGAR COUNTY PUBLIC SAFETY CENTER**  
 EDGAR COUNTY, ILLINOIS  
 12636 950TH ROAD  
 PAFIS, ILLINOIS 61944  
**21003.003**

**BID & PERMIT**

Issue	Date

**HENDERSON**  
 ENGINEERS  
 8345 LENEXA DRIVE, SUITE 300  
 LENEXA, KS 66241  
 TEL: 913.742.5000 FAX: 913.742.5001  
 WWW.HENDERSONENGINEERS.COM

225004109  
 IL CORPORATE NO. 184-002965  
 EXPIRES: 4/30/2025

EXPIRES ON: 11/30/2025

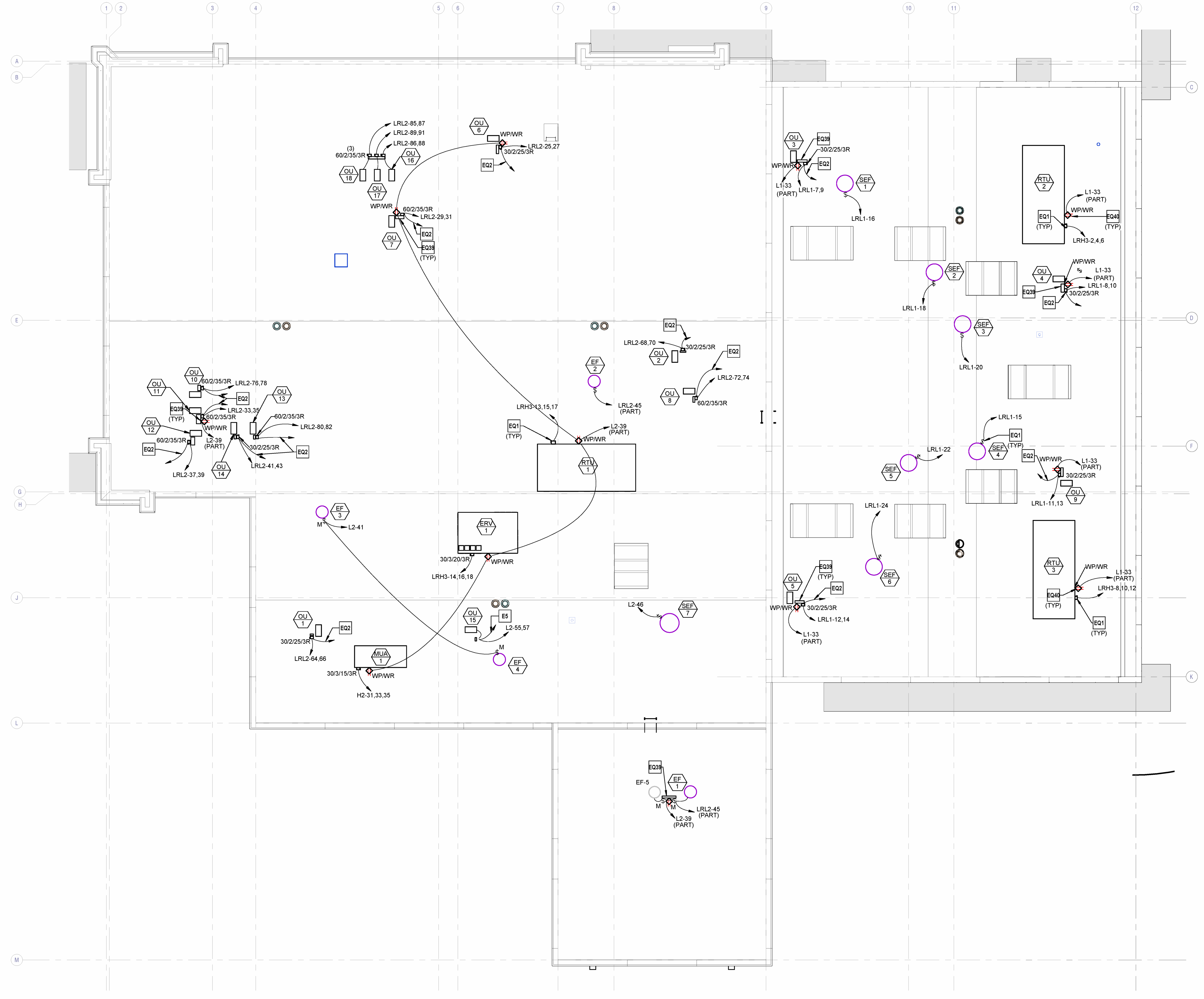
Architect's Name  
 License # : XXXXX  
 Date: 03/01/2024

Drawn by: Author  
 Copyright © 2024 by HMN Architects, Inc.

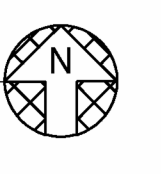
POWER MEZZANINE PLAN - JAIL

Issue	Date

- ELECTRICAL PLAN NOTES:**
- E5 POWER THROUGH ASSOCIATED CONDENSING UNIT LOCATED ON ROOF. ELECTRICAL CONTRACTOR SHALL FURNISH AND INSTALL ALL INTERCONNECTING POWER AND SIGNAL WIRING PER MANUFACTURER'S REQUIREMENT.
  - EQ1 EQUIPMENT DISCONNECT FURNISHED INTEGRAL FROM MANUFACTURER.
  - EQ2 PROVIDE POWER AND CONTROL WIRING TO INDOOR UNIT PER MANUFACTURER'S INSTALLATION INSTRUCTIONS.
  - EQ39 PROVIDE CHANNEL-STRUT (UNISTRUT) SECURED TO STRUCTURE ADJACENT TO EQUIPMENT TO MOUNT DISCONNECT SWITCH AND MAINTENANCE RECEPTACLE COORDINATE REQUIREMENTS WITH OTHER TRADES PRIOR TO INSTALLATION.
  - EQ40 PROVIDE CONNECTION TO EQUIPMENT FURNISHED WEATHER-RESISTANT (WR), GFCI DUPLEX MAINTENANCE RECEPTACLE WITH WEATHERPROOF (WP) "IN-USE" COVER.



1 ELECTRICAL ROOF PLAN - OVERALL  
1/8" = 1'-0"



**HENDERSON ENGINEERS**  
8345 LENEVA DRIVE, SUITE 300  
LENEVA, ILLINOIS 60214  
TEL 913.742.2000 FAX 913.742.5001  
WWW.HENDERSONENGINEERS.COM

2250004109  
IL CORPORATE NO. 184-002965  
EXPIRES 4/30/2025

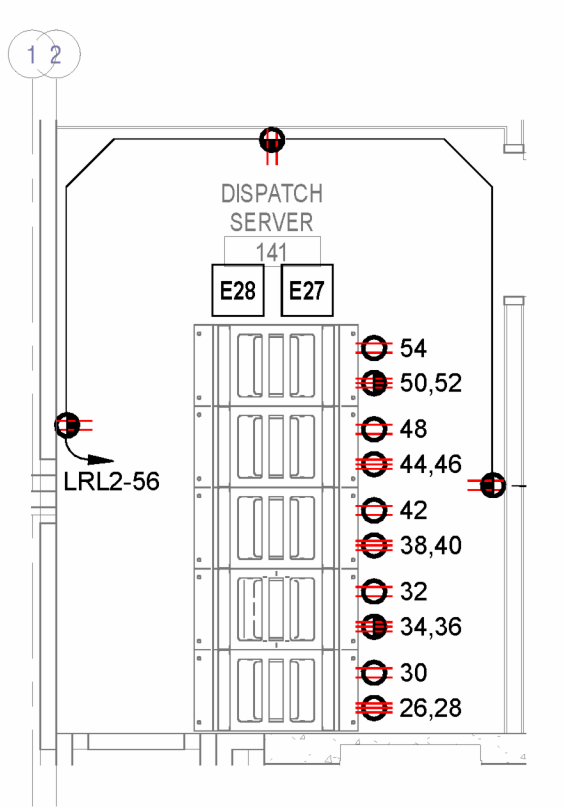
EXPIRES ON: 11/30/2025

MICHAEL DEWBERT  
05202522

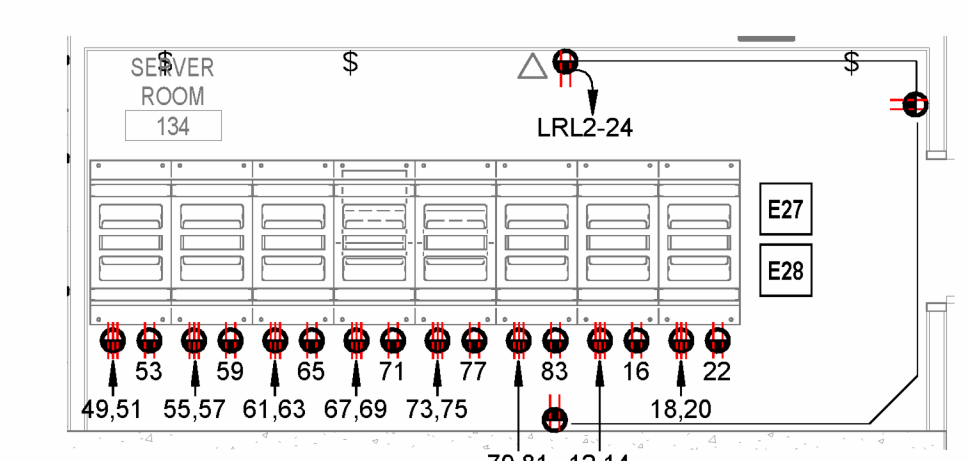
03/01/2024

Issue	Date

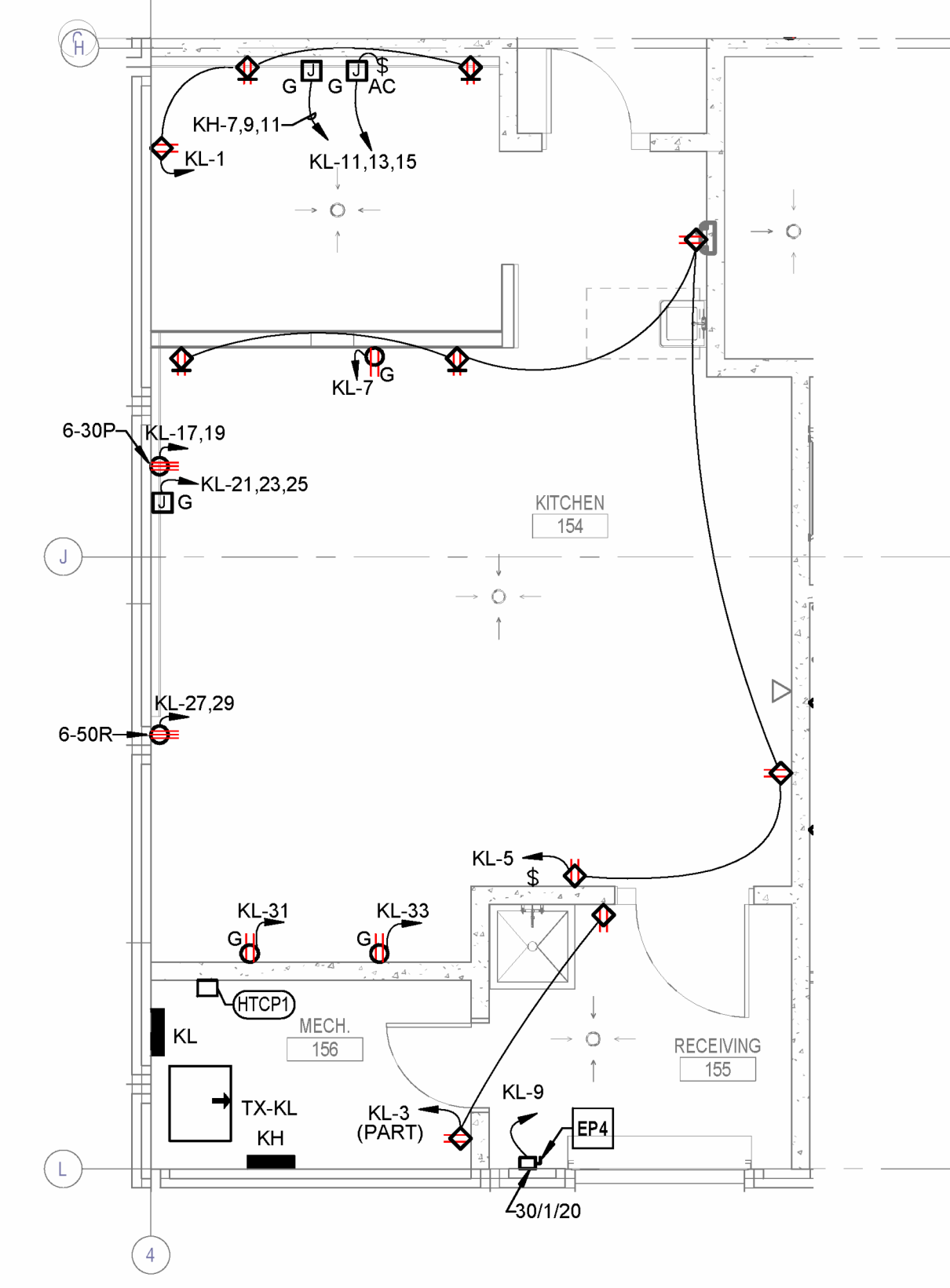
- ELECTRICAL PLAN NOTES:**
- E7 RECEPTACLE SHALL BE MOUNTED TO THE SURFACE OF THE SERVER RACK
  - E27 FOR EACH (2) POST RACK, PROVIDE (1) L6-30R TWIST LOCK AND (1) 5-20R DUPLEX RECEPTACLES (TYP). ALL RECEPTACLES SHOWN AS CEILING MOUNTED TYPE, SHALL BE MOUNTED ON CABLE TRAY LADDER RACK DIRECTLY ABOVE ASSOCIATED EQUIPMENT RACK. CONDUITS ENTERING OR EXITING THE RECEPTACLES SHALL BE SECURELY SUPPORTED WITHIN 3 FEET OF THE ENCLOSURE IN ACCORDANCE WITH NEC 314.23
  - E28 ALL RECEPTACLES WITHIN SPACE SHALL BE CIRCUITED TO PANELBOARD LRL2, UNO.
  - E31 SECURITY LIGHTING CONTRACTOR PANEL. COORDINATE EXACT LOCATION WITH SECURITY PLANS.
  - EP4 COORDINATE POWER REQUIREMENTS WITH APPROVED OVERHEAD DOOR SHOP DRAWING PRIOR TO ROUGH-IN.



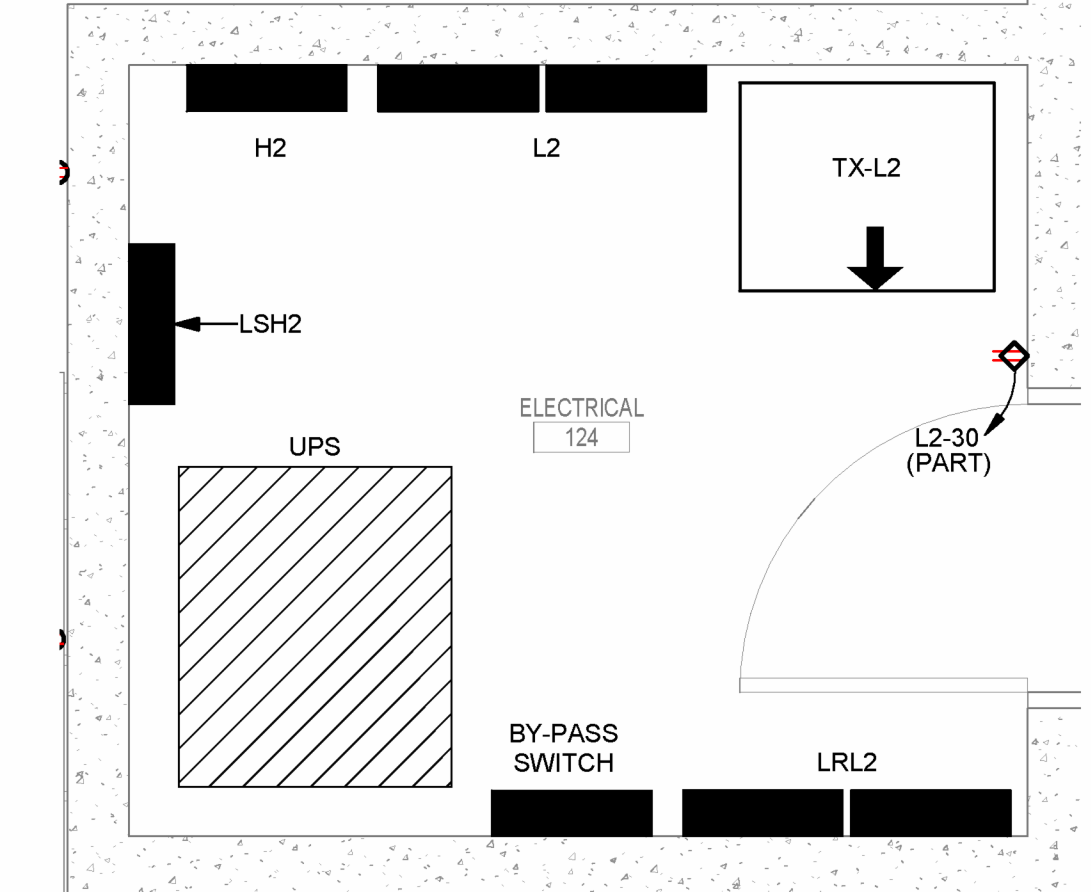
④ ENLARGED DISPATCH SERVER ROOM 141  
1/4" = 1'-0"



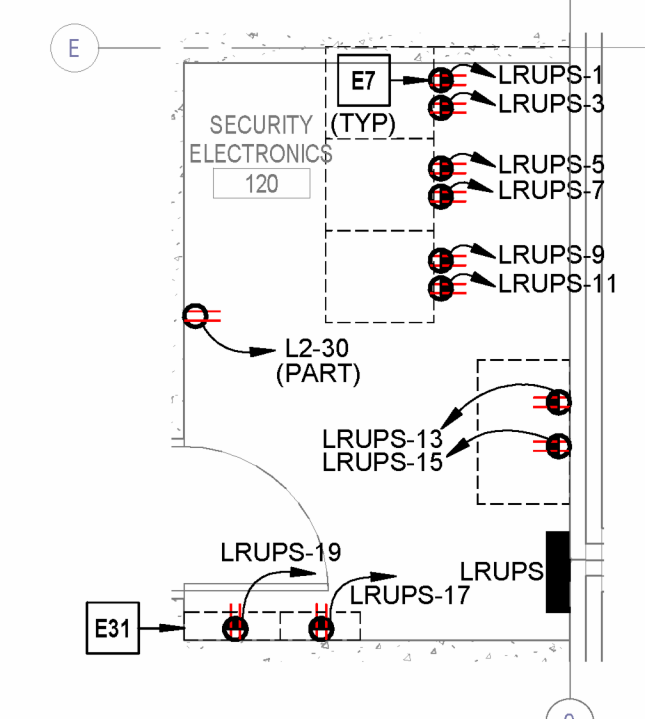
⑤ ENLARGED SERVER ROOM 134  
1/4" = 1'-0"



① ENLARGED PLAN KITCHEN 164  
3/16" = 1'-0"



② ENLARGED ELECTRICAL ROOM 124  
1/2" = 1'-0"



③ ENLARGED SECURITY ELECTRONICS 120  
1/4" = 1'-0"

**HENDERSON ENGINEERS**  
8345 LENEXA DRIVE, SUITE 300  
LENEA, ILLINOIS 62214  
TEL. 913.742.2500 FAX 913.742.5001  
WWW.HENDERSONENGINEERS.COM  
2250004109  
IL CORPORATE NO. 184-002985  
EXPIRES 4/30/2025

EXPIRES ON: 11/30/2025



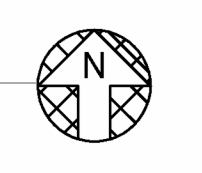
Michael Derwenter

03/01/2024

**ELECTRICAL PLAN NOTES:**  
E5 POWER THROUGH ASSOCIATED CONDENSING UNIT LOCATED ON ROOF. ELECTRICAL CONTRACTOR SHALL FURNISH AND INSTALL ALL INTERCONNECTING POWER AND SIGNAL WIRING PER MANUFACTURER'S REQUIREMENT.  
EP5 PROVIDE HARDWIRED CONNECTION TO PLUMBING VALVE CONTROL TRANSFORMER. DIVISION 26 CONTRACTOR SHALL ROUTE CONTROL FROM EACH CVC (CELL VALVE CONTROLLERS) BACK TO THE CENTRAL WMS SERVER (WASTE WATER MANAGEMENT) LOCATED IN CONTROL ROOM 159. DIVISION 26 CONTRACTOR SHALL PROVIDE HARDWIRED CONNECTION FROM EACH CVC TO CONTROLLED PLUMBING FIXTURES. REFER TO PLUMBING PLANS FOR CONTROLLED FIXTURES. COORDINATE ALL REQUIREMENTS WITH APPROVED SHOP DRAWINGS PRIOR TO ROUGH-IN. COORDINATE WITH ENGINEER ANY DISCREPANCIES.  
EP9 HEAT TRACE SYSTEM SHALL BE ROUTED AND CONTROLLED VIA HEAT TRACE CONTROL PANEL. CONFIRM CONTROL WITH MANUFACTURER AND APPROVED SHOP DRAWINGS PRIOR TO ROUGH-IN.  
EQ1 EQUIPMENT DISCONNECT FURNISHED INTEGRAL FROM MANUFACTURER.

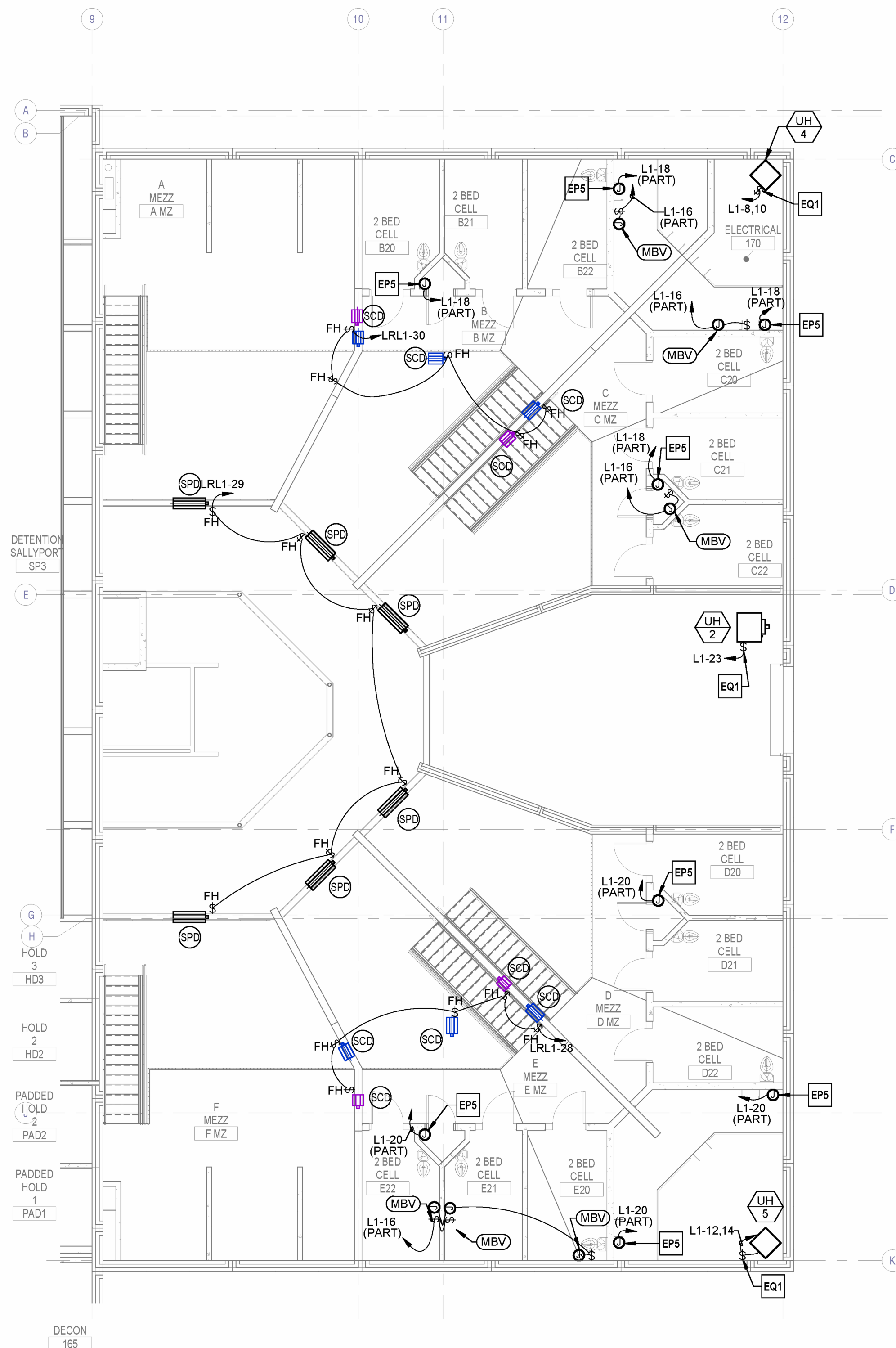


1 EQUIPMENT CONNECTION FIRST FLOOR PLAN - OVERALL  
1/8" = 1'-0"

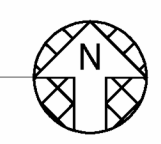


**ELECTRICAL PLAN NOTES:**

EP5 PROVIDE HARDWIRED CONNECTION TO PLUMBING VALVE CONTROL TRANSFORMER. DIVISION 26 CONTRACTOR SHALL ROUTE CONTROL FROM EACH CVC (CELL VALVE CONTROLLER) BACK TO THE CENTRAL WMS SERVER (WASTER WATER MANAGEMENT) LOCATED IN CONTROL ROOM 159. DIVISION 26 CONTRACTOR SHALL PROVIDE HARDWIRED CONNECTION FROM EACH CVC TO CONTROLLED PLUMBING FIXTURES. REFER TO PLUMBING PLANS FOR CONTROLLED FIXTURES. COORDINATE ALL REQUIREMENTS WITH APPROVED SHOP DRAWINGS PRIOR TO ROUGH-IN. COORDINATE WITH ENGINEER ANY DISCREPANCIES.  
EQ1 EQUIPMENT DISCONNECT FURNISHED INTEGRAL FROM MANUFACTURER.



1 EQUIPMENT CONNECTION MEZZANINE PLAN - JAIL  
1/8" = 1'-0"



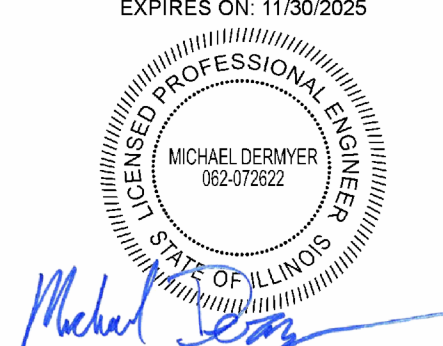
**EDGAR COUNTY PUBLIC SAFETY CENTER**  
EDGAR COUNTY, ILLINOIS  
12636 950TH ROAD  
PARI, ILLINOIS 61944  
21003.003

BID & PERMIT

Architect's Name  
License # XXXXX  
Date: 03/01/2024

Issue	Date

**HENDERSON ENGINEERS**  
8345 LENEVA DRIVE, SUITE 300  
LENEVA, NS 88214  
TEL 913.742.9500 FAX 913.742.5001  
WWW.HENDERSONENGINEERS.COM  
2250004109  
IL CORPORATE NO. 184-002965  
EXPIRES 4/30/2025  
EXPIRES ON: 11/30/2025



Drawn by: Author  
Copyright © 2024 by HMN Architects, Inc.

03/01/2024

EQUIPMENT CONNECTION  
MEZZANINE PLAN - JAIL

**E302**







Architect's Name		License #	
Date		Issue	
Date		Date	

## GENERATOR LOAD SCHEDULE

PROJECT NAME	Edgar County Jail
STREET ADDRESS	
CITY, ST, ZIP	Paris, IL
STORES#	
HENDERSON PROJECT #	2250004109
PREPARED BY	R. Guajardo
LAST MODIFIED	12/8/2023
GENERATOR TYPE	STATIONARY
GENERATOR USAGE	STANDBY
GENERATOR FUEL	DIESEL
FUEL TANK LOCATION	SUB-BASE (BELLY TANK)
OUTPUT VOLTAGE / HZ	480Y/277V, 60HZ
GENERATOR LOCATION	EXTERIOR GRADE
MAX AMBIENT AIR TEMP (°F)	104 F
ELEVATION (MSL (FT))	1,000'
MIN RUN-TIME W/ ON-SITE FUEL	48
# OF GENSETS	BASIS OF DESIGN IS FOR 2 GENSET

ATS #	LOAD STEP	PRIORITY	CODE CLASSIFIED LOAD TYPE			LOAD DESCRIPTION	PANELBOARDS / LOADS INCLUDED IN STEP (INCLUDES DOWNSTREAM LOADS AND SUBPANELS)	FULL LOAD (RUNNING KVA)												FULL LOAD (KVA)	NOTES #				
			NEC ARTICLE 700 EMERGENCY	NEC ARTICLE 701 LEGALLY REQUIRED STANDBY	NEC ARTICLE 702 OPERATIONAL STANDBY			INSTANTANEOUS VOLTAGE DIP (%)	MAX FREQUENCY DIP (%)	LIGHTING (LED)	COMPUTERS	INVERTER / UPS	FIRE PUMP (MOTOR)	ELEVATOR (MOTOR)	ELEC HEATING (RESISTIVE)	HVAC (MOTORS)	REFRIGERATION (MOTORS)	MISC MOTORS	KITCHEN EQUIPMENT			RECEPTACLES	MISC / OTHER	125% OF EXISTING PEAK LOAD	FUTURE LOAD
ATS-1	1	1.1	X			EMERGENCY LIGHTING	LSH1	5	5	4.3														4	
ATS-2	2	2.1		X		LEGALLY REQUIRED	LRH3	10	10	7.3	10.8					127	9.9	12.2	40					207	
							<b>MAXIMUM FULL LOAD (KVA):</b>															<b>212</b>			

**GENERAL NOTES:**

A. THE INFORMATION PROVIDED IN THIS SCHEDULE IS PRELIMINARY AND SUBJECT TO CHANGE. IT IS PROVIDED TO ASSIST IN GENERATOR SIZING AND SELECTION. THIS INFORMATION NEITHER EXTENDS NOR ALTERS ANY CONTRACTUAL OBLIGATIONS OF THE ENGINEER OR CONTRACTOR. FINAL LOADS AND RELATED INFORMATION IN THIS SCHEDULE SHOULD BE VERIFIED BY THE CONTRACTOR AND IS SUBJECT TO THE REVIEW AND APPROVAL OF THE ENGINEER OF RECORD, AUTHORITY HAVING JURISDICTION AND OWNER, PRIOR TO IMPLEMENTATION. REFER TO ONE-LINER/DIAGRAM FOR TRANSFER SWITCH AND GROUNDING INFORMATION. REFER TO RELATED CONSTRUCTION DOCUMENTS INCLUDING SPECIFICATIONS FOR ADDITIONAL REQUIREMENTS.

B. UNLESS NOTED OTHERWISE, PER NEC 700.4, 701.4 & 702.4, THE GENERATOR SYSTEM CAPACITY SHALL BE CALCULATED IN ACCORDANCE WITH NEC 220 OR OTHER APPROVED METHOD. NOTE THAT THE ACTUAL PEAK LOAD MAY BE SIGNIFICANTLY LESS THAN THIS CODE MINIMUM VALUE UNDER MOST CONDITIONS. IN ADDITION, THE LOADS SHOWN IN THIS SCHEDULE ARE BASED ON RUNNING FULL LOAD CURRENTS AT NOMINAL VOLTAGES AND DO NOT ACCOUNT FOR TEMPORARY STARTING IN-RUSH CURRENTS.

C. THE FINAL GENERATOR SIZING SHALL BE PERFORMED BY AN APPROVED GENERATOR MANUFACTURER OR REPRESENTATIVE AND SUBMITTED TO THE ENGINEER FOR REVIEW AND APPROVAL PRIOR TO ORDER. GENERATOR SUPPLIER SHALL BE RESPONSIBLE TO INCLUDE WITH GENERATOR PACKAGE ALL NECESSARY COMPONENTS INCLUDING: ALTERNATOR, BATTERY CHARGER, CONTROL PANEL, EMISSION/EXHAUST SYSTEM ENCLOSURE, FUEL TANK, GAUGES AND STARTER IN ACCORDANCE WITH ALL FEDERAL, STATE AND LOCAL REQUIREMENTS. GENERATOR SET AND RELATED COMPONENTS SHALL BE SUITABLE FOR LOCAL ELEVATION, ENVIRONMENT AND SEISMIC DESIGN CATEGORY. DE-RATE GENERATOR AND PROVIDE NECESSARY COMPONENTS AS NEEDED BASED ON AMBIENT TEMPERATURE, ELEVATION AND OTHER RELEVANT FACTORS.

D. IF TRANSIENT RESPONSE REQUIREMENTS CANNOT BE REASONABLY MET WITH AVAILABLE PRODUCT OFFERINGS THEN PROVIDE SUBMITTAL WITH BEST FIT FOR ENGINEER EVALUATION. REFER TO SPECIFICATIONS FOR ALLOWED STEADY-STATE TOLERANCES.

E. MAXIMUM TIME DELAY FOR NEC ARTICLE 700 EMERGENCY LOADS IS 10 SECONDS. MAXIMUM TIME DELAY FOR LEGALLY REQUIRED STANDBY LOADS IS 60 SECONDS, UNLESS NOTED OTHERWISE.

F. MAXIMUM RECOVERY TIME SHALL NOT EXCEED 3 SECONDS, UNLESS NOTED OTHERWISE.

G. LOADS LISTED ABOVE ARE BASED ON A POWER FACTOR NO LESS THAN 0.80, UNLESS NOTED OTHERWISE.

**NOTES:**

1. AS ALLOWED PER NEC 702.4, AN ACTIVE LOAD MANAGEMENT SYSTEM SHALL BE INSTALLED TO AUTOMATICALLY MANAGE THE CONNECTED LOAD. THE STANDBY SOURCE SHALL HAVE CAPACITY SUFFICIENT TO SUPPLY THE MAXIMUM LOAD THAT WILL BE CONNECTED. LOADS ON THIS STEP SHALL ONLY TRANSFER TO STANDBY SOURCE WHEN SUFFICIENT CAPACITY IS AVAILABLE.

2. FOR DIESEL GENSETS, PROVIDE SUBMITTAL INFORMATION AND PRICING FOR SUB-BASE FUEL TANK WITH ON-SITE FUEL STORAGE FOR INDICATED MINIMUM RUN TIME AT FULL RATED LOAD.

3. REFER TO DIVISION 23 SEQUENCE OF OPERATION FOR MORE INFORMATION ON TIME DELAY AND CONTROL REQUIREMENTS FOR THIS EQUIPMENT.

4. THE MAJORITY OF THIS LOAD IS NON-LINEAR.

5. UPS TYPE IS DOUBLE CONVERSION.

6. INTERMITTENT/PERIODIC DUTY MOTOR LOAD.

7. PROVIDE WEATHERPROOF SOUND-ATTENUATED ENCLOSURE TO LIMIT MAXIMUM OPERATIONAL SOUND OUTPUT TO 70 / 85 dBA AT 23 FROM ENCLOSURE.

8. GENERATOR SHALL COMPLY WITH EPA TIER 4 EMISSION STANDARDS.

**HENDERSON**  
ENGINEERS  
8345 LENEVA DRIVE, SUITE 300  
LENEVA, IL 62524  
TEL 913.742.9500 FAX 913.742.5001  
WWW.HENDERSONENGINEERS.COM

2250004109  
IL CORPORATE NO. 184-002965  
EXPIRES 4/30/2025

EXPIRES ON: 11/30/2025

03/01/2024



Michael DeWiter



PANELBOARD: L1 (NEW) EQUIPMENT GROUND BUS  
BUS AMPS: 225A  
MAIN SIZE/TYPE: 150A MCB  
VOLTS/PHASE: 208Y/120 V 3P/4W  
SUPPLIED BY: MDP VIA TX-L1  
FAULT CURRENT: FULLY RATED  
AIC RATING: FCA +10% MINIMUM  
SERVES: BUILDING  
MOUNTING: SURFACE  
LOCATION: ELECTRICAL 163  
LINE-SIDE LUGS: MECHANICAL

PANELBOARD: L1A (NEW) EQUIPMENT GROUND BUS  
BUS AMPS: 100A  
MAIN SIZE/TYPE: 125A MCB  
VOLTS/PHASE: 208Y/120 V 3P/4W  
SUPPLIED BY: L1  
FAULT CURRENT: FULLY RATED  
AIC RATING: FCA +10% MINIMUM  
SERVES: SHELTER SURFACE  
MOUNTING: SURFACE  
LOCATION: CONFERENCE STORAGE 135B  
LINE-SIDE LUGS: MECHANICAL

PANELBOARD: LSH1 (NEW) EQUIPMENT GROUND BUS  
BUS AMPS: 100A  
MAIN SIZE/TYPE: 45A MCB  
VOLTS/PHASE: 480Y/277 V 3P/4W  
SUPPLIED BY: MDP  
FAULT CURRENT: FULLY RATED  
AIC RATING: FCA +10% MINIMUM  
SERVES: SURFACE  
MOUNTING: SURFACE  
LOCATION: EMERGENCY ELECTRICAL 169  
LINE-SIDE LUGS: MECHANICAL

PANELBOARD: LSH2 (NEW) EQUIPMENT GROUND BUS  
BUS AMPS: 100A  
MAIN SIZE/TYPE: 150A MCB  
VOLTS/PHASE: 480Y/277 V 3P/4W  
SUPPLIED BY: LSH1  
FAULT CURRENT: FULLY RATED  
AIC RATING: FCA +10% MINIMUM  
SERVES: SURFACE  
MOUNTING: SURFACE  
LOCATION: ELECTRICAL 124  
LINE-SIDE LUGS: MECHANICAL



7420 W 110th Street, Suite 200  
Overland Park, Kansas 66210  
913.451.9075 phone  
913.451.9880 fax  
h.m.n.a.r.c.h.i.e.s.i.s.@i.s.c.o.m



Henderson Engineers  
300 E. Central Expressway  
Channahon, Illinois 61611-2900  
Channahon, Illinois 61611-2900  
617.263.1111  
617.263.1111

604 LIBERTY ST. SUITE 125  
PELLA, IA 50219  
515.612.7402  
www.klingner.com  
ARCHITECTS & SURVEYORS

EDGAR COUNTY PUBLIC SAFETY CENTER  
EDGAR COUNTY, ILLINOIS  
12636 950TH ROAD  
PAFIS, ILLINOIS 61944  
21003.003  
BID & PERMIT

PANELBOARD: LRL1 (NEW)

BUS AMPS: 400A  
MAIN SIZE/TYP: 400A MCB  
VOLTS/PHASE: 208Y/120 V 3P/4W  
SUPPLIED BY: LRH3 VIA TX-LRL1

FAULT CURRENT:  
AIC RATED: FULLY RATED  
AIC RATING: FCA +10% MINIMUM  
SERVICES: BUILDING OPTIONAL STANDBY SURFACE  
MOUNTING: SURFACE  
LOCATION: EMERGENCY ELECTRICAL 169

EQUIPMENT GROUND BUS

Table with 17 columns: CKT NO., DESCRIPTION, LOAD TYPE, NOTES, WIRE SIZE, BKR AMP, P, PHASE, PHASE, PHASE, P, BKR AMP, WIRE SIZE, NOTES, LOAD TYPE, DESCRIPTION, CKT NO. Includes detailed circuit information and load calculations.

Summary tables for PANELBOARD LRL1 including: LOAD TYPE, CONNECTED LOAD, DEMAND FACTOR, NEC DEMAND, PANELBOARD NOTES, and PANELBOARD TOTALS.

PANELBOARD: LRL1 (NEW)

BUS AMPS: 400A  
MAIN SIZE/TYP: MLO  
VOLTS/PHASE: 480Y/277 V 3P/4W  
SUPPLIED BY: MDP

FAULT CURRENT:  
AIC RATED: FULLY RATED  
AIC RATING: FCA +10% MINIMUM  
SERVICES: BUILDING OPTIONAL STANDBY SURFACE  
MOUNTING: SURFACE  
LOCATION: EMERGENCY ELECTRICAL 169

EQUIPMENT GROUND BUS

Table with 17 columns: CKT NO., DESCRIPTION, LOAD TYPE, NOTES, WIRE SIZE, BKR AMP, P, PHASE, PHASE, PHASE, P, BKR AMP, WIRE SIZE, NOTES, LOAD TYPE, DESCRIPTION, CKT NO. Includes detailed circuit information and load calculations.

Summary tables for PANELBOARD LRL1 including: LOAD TYPE, CONNECTED LOAD, DEMAND FACTOR, NEC DEMAND, PANELBOARD NOTES, and PANELBOARD TOTALS.

PANELBOARD: LRL2 (NEW)

BUS AMPS: 400A  
MAIN SIZE/TYP: MLO  
VOLTS/PHASE: 208Y/120 V 3P/4W  
SUPPLIED BY: LRL1

FAULT CURRENT:  
AIC RATED: FULLY RATED  
AIC RATING: FCA +10% MINIMUM  
SERVICES: OFFICE  
MOUNTING: SURFACE  
LOCATION: ELECTRICAL 124

EQUIPMENT GROUND BUS

Table with 17 columns: CKT NO., DESCRIPTION, LOAD TYPE, NOTES, WIRE SIZE, BKR AMP, P, PHASE, PHASE, PHASE, P, BKR AMP, WIRE SIZE, NOTES, LOAD TYPE, DESCRIPTION, CKT NO. Includes detailed circuit information and load calculations.

Summary tables for PANELBOARD LRL2 including: LOAD TYPE, CONNECTED LOAD, DEMAND FACTOR, NEC DEMAND, PANELBOARD NOTES, and PANELBOARD TOTALS.

PANELBOARD: LRUPS (NEW)

BUS AMPS: 100A  
MAIN SIZE/TYP: MLO  
VOLTS/PHASE: 208Y/120 V 3P/4W  
SUPPLIED BY: LRL1

FAULT CURRENT:  
AIC RATED: FULLY RATED  
AIC RATING: FCA +10% MINIMUM  
SERVICES: SECURITY UPS  
MOUNTING: SURFACE  
LOCATION: SECURITY ELECTRONICS 120

EQUIPMENT GROUND BUS

Table with 17 columns: CKT NO., DESCRIPTION, LOAD TYPE, NOTES, WIRE SIZE, BKR AMP, P, PHASE, PHASE, PHASE, P, BKR AMP, WIRE SIZE, NOTES, LOAD TYPE, DESCRIPTION, CKT NO. Includes detailed circuit information and load calculations.

Summary tables for PANELBOARD LRUPS including: LOAD TYPE, CONNECTED LOAD, DEMAND FACTOR, NEC DEMAND, PANELBOARD NOTES, and PANELBOARD TOTALS.



8345 LENEVA DRIVE, SUITE 300  
LENEVA, ILLINOIS 62614  
TEL: 913.742.9500 FAX: 913.742.5001  
WWW.HENDERSONENGINEERS.COM

2250004109  
ILL. CORPORATE NO. 184-002965  
EXPIRES: 4/30/2026



Drawn by: Author  
Copyright © 2024 by HMN Architects, Inc.

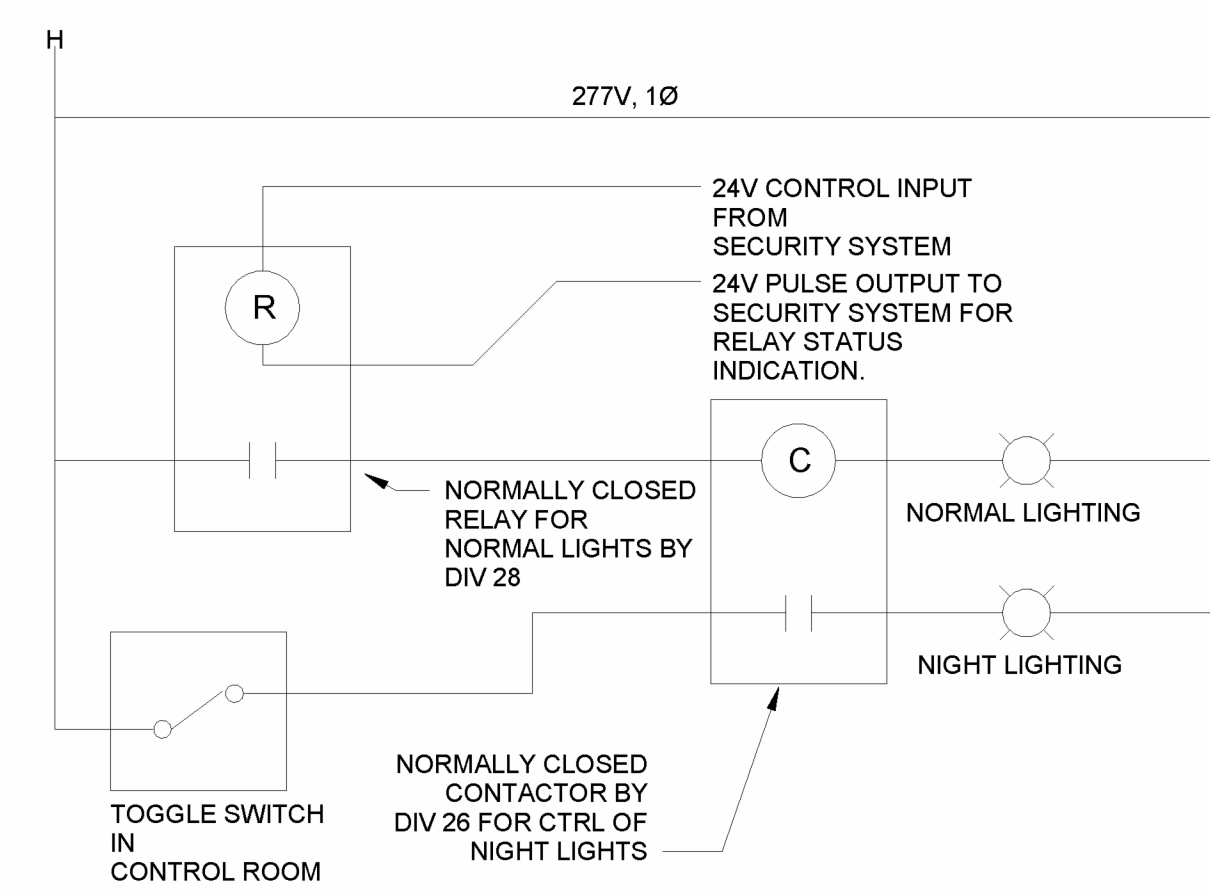
Table with 3 columns: Issue, Date. Includes entries for 03/01/2024.

PANELBOARD SCHEDULES

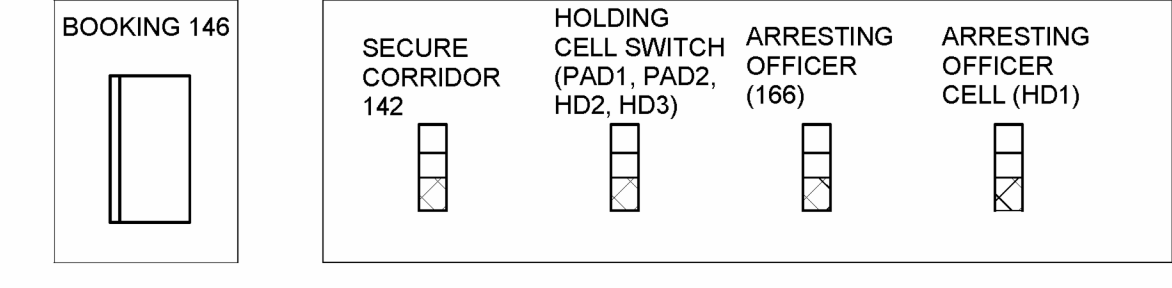
E504

03/01/2024

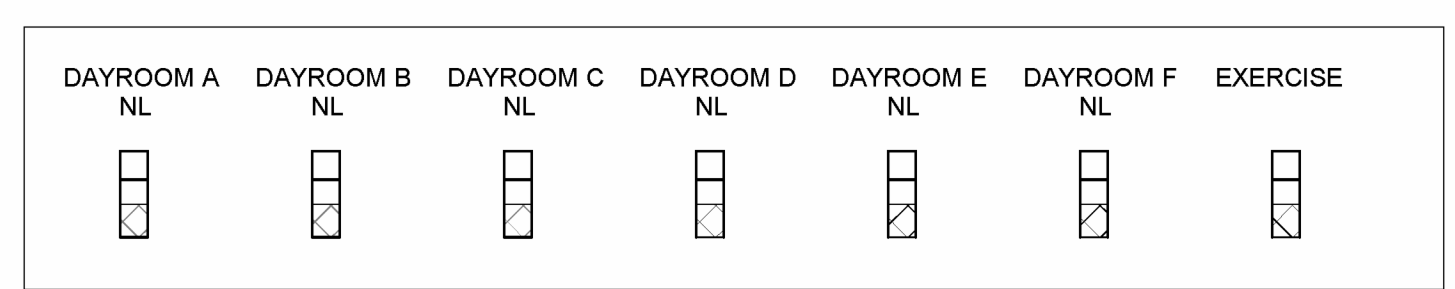
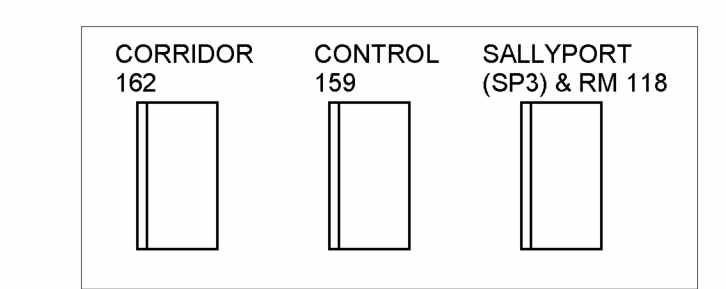
MICHAEL T. DEWBATER



- NOTES:  
 1 - ALL SWITCHES IN CONTROL ROOM SHALL BE PERMANENTLY LABELED ON THE COVERPLATE WITH WHICH ROOM AND LIGHTS THEY CONTROL.  
 2 - NORMALLY CLOSED CONTACTOR SHALL BE WIRED SO THAT NIGHT LIGHTS ARE ONLY ALLOWED ON WHEN NORMAL LIGHTING IN ROOM IS OFF. TOGGLE SWITCH IN CONTROL ROOM SHALL SERVE AS MANUAL ON/OFF CONTROL OF NIGHT LIGHTS.  
 3 - LOCATE CONTACTOR ABOVE SECURE CORRIDOR CEILING OUTSIDE OF ROOM.



① BOOKING 146 LTG CONTROLS NTS

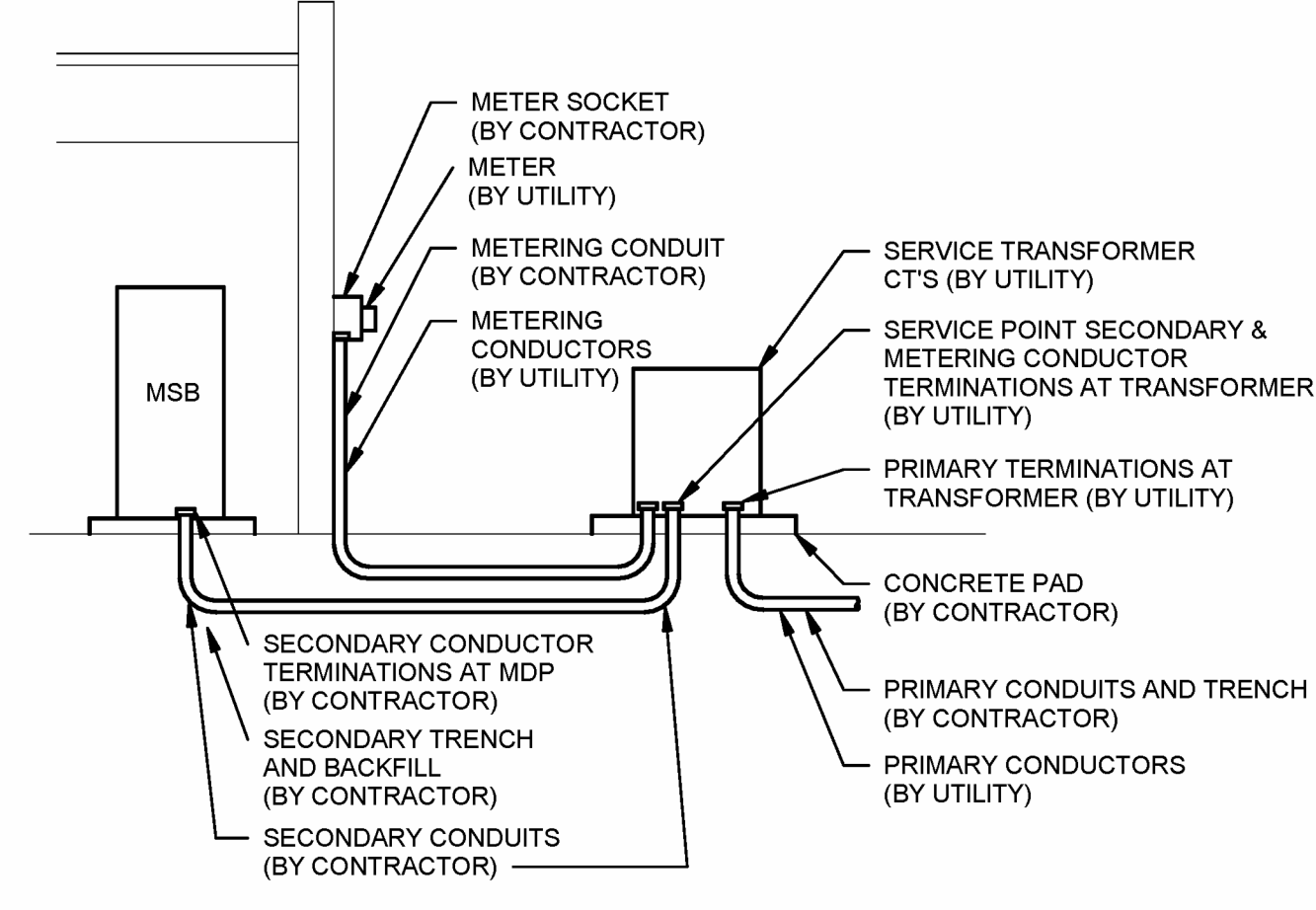


② CONTROL SWITCHBANK DETAIL NTS

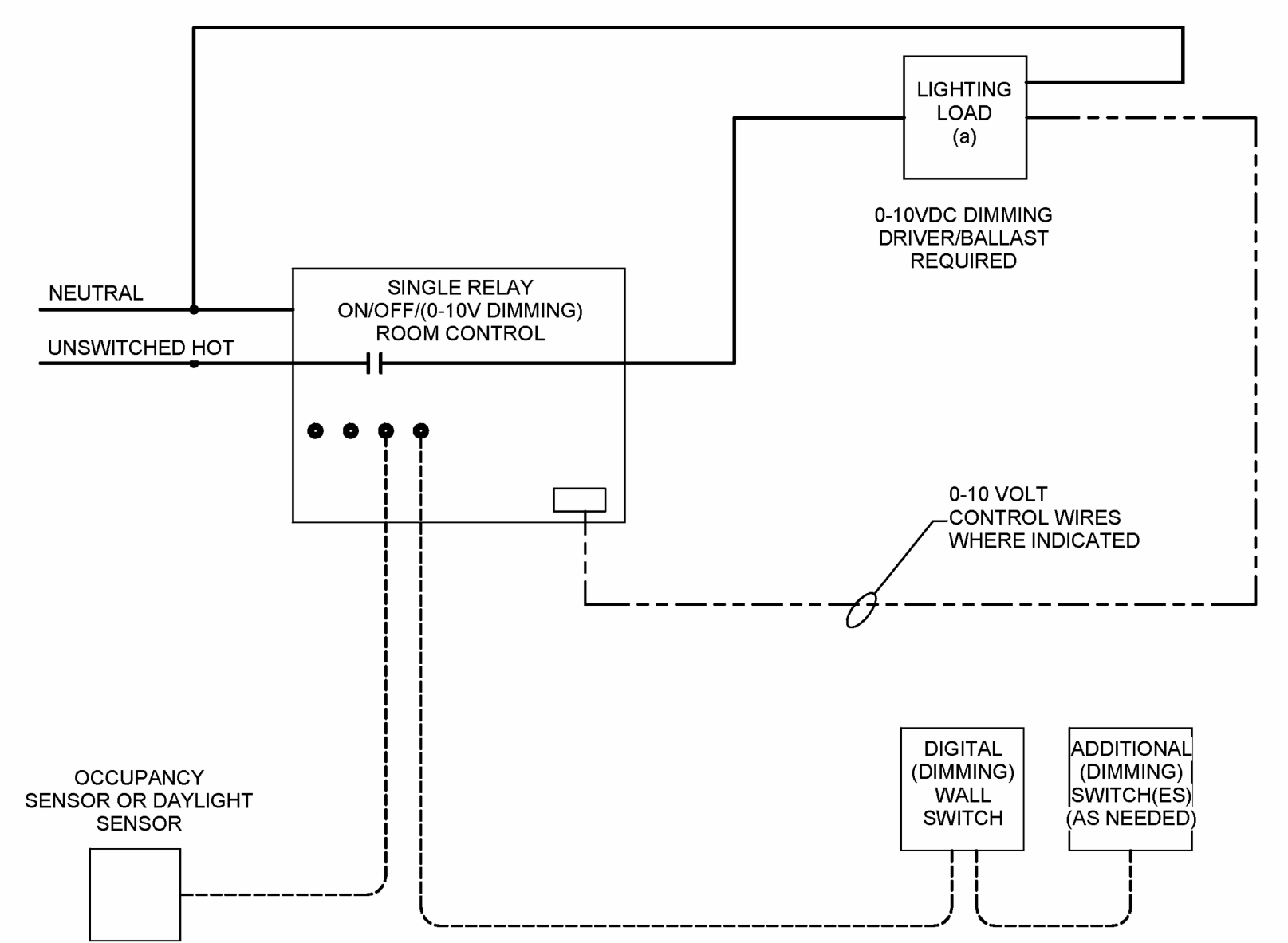
- LOW VOLTAGE CABLE  
 --- LINE VOLTAGE WIRING  
 - - - - - 0-10V CONTROL CABLE

- SEQUENCE OF OPERATION:**  
 1. UPON OCCUPANCY OF SPACE, POWER SUPPLY SHALL ENABLE LIGHTING ZONE "a" TO BE CONTROLLED VIA LOCAL CONTROL DEVICES "a".  
 2. IF MOTION IS NOT DETECTED WITHIN SPECIFIED TIME DELAY ALL LIGHTING ZONES CONTROLLED SHALL TURN OFF.  
 3. FOR MORE INFORMATION REGARDING MODEL NUMBERS, TIME DELAYS, COVERAGE PATTERNS, ETC. REFER TO OCCUPANCY SENSOR SCHEDULE.

⑤ DORM LIGHTING CONTROL DIAGRAM NTS



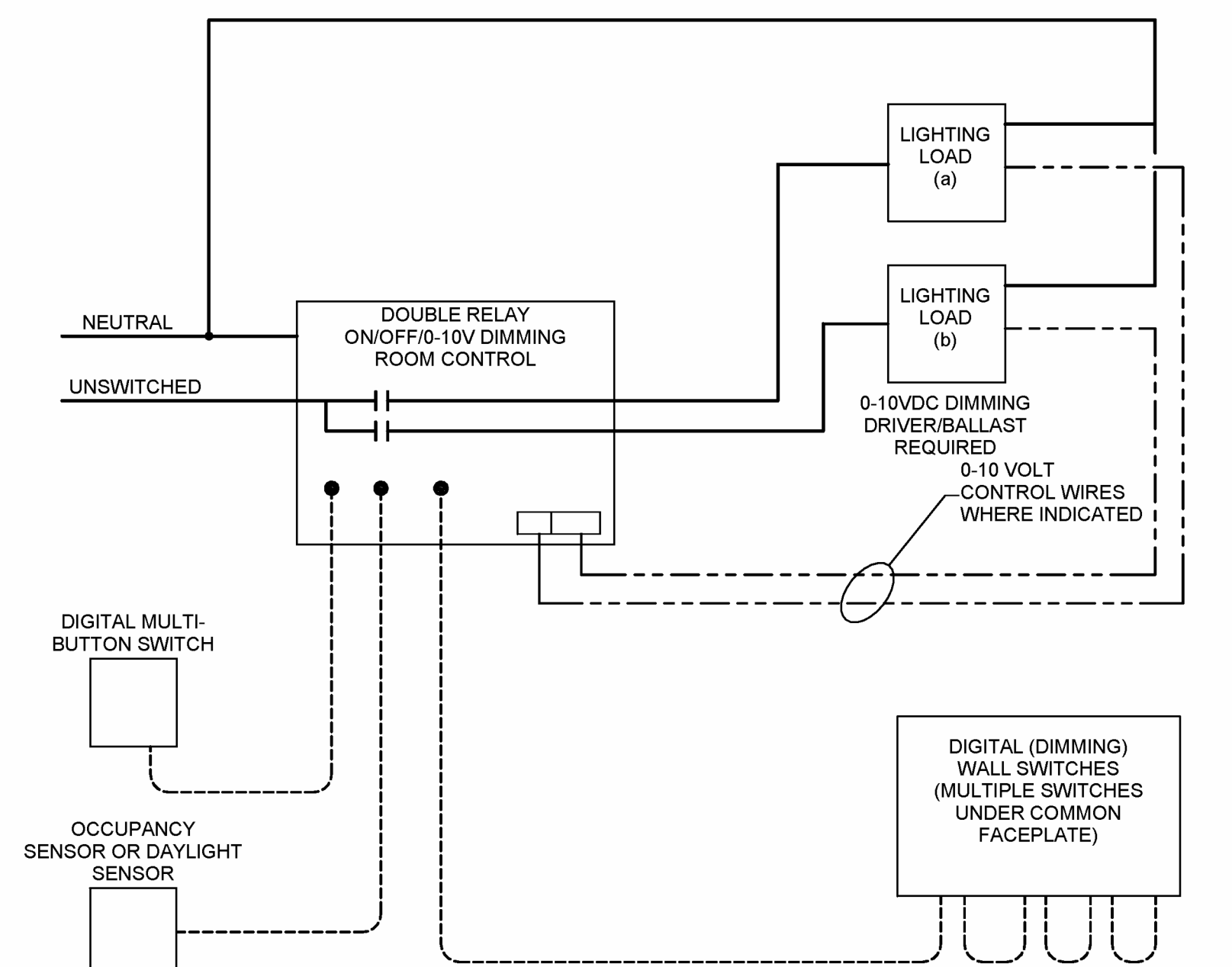
⑥ UTILITY COORDINATION DETAIL NTS



③ SINGLE RELAY ROOM CONTROLLER (WITH 0-10V DIMMING) NTS

- LOW VOLTAGE CABLE  
 --- LINE VOLTAGE WIRING  
 - - - - - 0-10V CONTROL CABLE

- SEQUENCE OF OPERATION:**  
 1. UPON OCCUPANCY OF SPACE, POWER SUPPLY SHALL ENABLE LIGHTING ZONE "a" AND "b" TO BE CONTROLLED VIA LOCAL CONTROL DEVICES "a" AND "b".  
 2. LOCAL CONTROL DEVICES SHALL BE CAPABLE OF CONTROLLING LIGHTING ZONE "a" INDEPENDENTLY OF LIGHTING ZONE "b".  
 3. IF MOTION IS NOT DETECTED WITHIN SPECIFIED TIME DELAY ALL LIGHTING ZONES CONTROLLED SHALL TURN OFF.  
 4. FOR MORE INFORMATION REGARDING MODEL NUMBERS, TIME DELAYS, COVERAGE PATTERNS, ETC. REFER TO OCCUPANCY SENSOR SCHEDULE.



④ DOUBLE RELAY ROOM CONTROLLER (WITH 0-10V DIMMING) NTS

**HENDERSON ENGINEERS**  
 8345 LENEXA DRIVE, SUITE 300  
 LENEXA, KS 66214  
 TEL. 913.742.9500 FAX 913.742.5001  
 WWW.HENDERSONENGINEERS.COM

2250004109  
 I.L. CORPORATE NO. 184-002985  
 EXPIRES 4/30/2025

EXPIRES ON: 11/30/2025



Michael DeBater  
 03/01/2024

Architect's Name	License #	Date	Issue	Date

COMcheck Software Version 4.1.5.3 Interior Lighting Compliance Certificate

Project Information: 2015 IECC, New Construction, Edgar County Jail, 12636 950TH Road, Paris, IL 61824

Additional Efficiency Package(s): 1.0 Proposed, 1.0 Performance (IECC, 10 reqs)

Table with columns: Area Category, Floor Area (ft2), Allowed Watts / ft2, Allowed Watts (W X C), and Total Allowed Watts = 19306

Proposed Interior Lighting Power

Table with columns: Fixture ID, Description / Lamp / Wattage Per Lamp / Ballast, Lamp / Fixture, # of Fixtures, and Total Watts (C X D)

Project Title: J:\0222\250004109 Edgar County Jail - Paris, IL\001\Energy\Elec\_CorCheck.cck, Report date: 02/16/24, Page: 1 of 8

COMcheck Software Version 4.1.5.3 Exterior Lighting Compliance Certificate

Project Information: 2015 IECC, New Construction, Edgar County Jail, 12636 950TH Road, Paris, IL 61824

Allowed Exterior Lighting Power

Table with columns: Area/Surface Category, Quantity, Allowed Watts / Unit, Total Watts, and Allowed Watts (B X C)

Proposed Exterior Lighting Power

Table with columns: Fixture ID, Description / Lamp / Wattage Per Lamp / Ballast, Lamp / Fixture, # of Fixtures, and Total Watts (C X D)

Project Title: J:\0222\250004109 Edgar County Jail - Paris, IL\001\Energy\Elec\_CorCheck.cck, Report date: 02/16/24, Page: 2 of 8

COMcheck Software Version 4.1.5.3 Exterior Lighting Compliance Certificate

Project Information: 2015 IECC, New Construction, Edgar County Jail, 12636 950TH Road, Paris, IL 61824

Allowed Exterior Lighting Power

Table with columns: Area/Surface Category, Quantity, Allowed Watts / Unit, Total Watts, and Allowed Watts (B X C)

Proposed Exterior Lighting Power

Table with columns: Fixture ID, Description / Lamp / Wattage Per Lamp / Ballast, Lamp / Fixture, # of Fixtures, and Total Watts (C X D)

Project Title: J:\0222\250004109 Edgar County Jail - Paris, IL\001\Energy\Elec\_CorCheck.cck, Report date: 02/29/24, Page: 1 of 6

COMcheck Software Version 4.1.5.3 Inspection Checklist

Project Information: 2015 IECC, New Construction, Edgar County Jail, 12636 950TH Road, Paris, IL 61824

Table with columns: Section #, Section Title, Plan Review, Complies?, and Comments/Assumptions

Project Title: J:\0222\250004109 Edgar County Jail - Paris, IL\001\Energy\Elec\_CorCheck.cck, Report date: 02/29/24, Page: 1 of 6

COMcheck Software Version 4.1.5.3 Inspection Checklist

Project Information: 2015 IECC, New Construction, Edgar County Jail, 12636 950TH Road, Paris, IL 61824

Table with columns: Section #, Section Title, Plan Review, Complies?, and Comments/Assumptions

Project Title: J:\0222\250004109 Edgar County Jail - Paris, IL\001\Energy\Elec\_CorCheck.cck, Report date: 02/16/24, Page: 4 of 8

COMcheck Software Version 4.1.5.3 Inspection Checklist

Project Information: 2015 IECC, New Construction, Edgar County Jail, 12636 950TH Road, Paris, IL 61824

Table with columns: Section #, Section Title, Plan Review, Complies?, and Comments/Assumptions

Project Title: J:\0222\250004109 Edgar County Jail - Paris, IL\001\Energy\Elec\_CorCheck.cck, Report date: 02/16/24, Page: 5 of 8

Table with columns: Section #, Section Title, Final Inspection, Complies?, and Comments/Assumptions

Additional Comments/Assumptions:

Project Title: J:\0222\250004109 Edgar County Jail - Paris, IL\001\Energy\Elec\_CorCheck.cck, Report date: 02/16/24, Page: 6 of 8

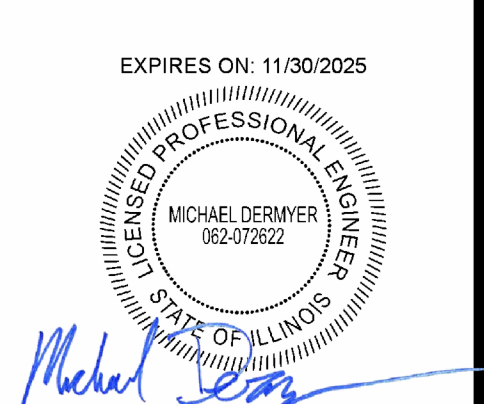
Project Title: J:\0222\250004109 Edgar County Jail - Paris, IL\001\Energy\Elec\_CorCheck.cck, Report date: 02/16/24, Page: 7 of 8

Project Title: J:\0222\250004109 Edgar County Jail - Paris, IL\001\Energy\Elec\_CorCheck.cck, Report date: 02/29/24, Page: 8 of 6

Project Title: J:\0222\250004109 Edgar County Jail - Paris, IL\001\Energy\Elec\_CorCheck.cck, Report date: 02/16/24, Page: 4 of 8

Project Title: J:\0222\250004109 Edgar County Jail - Paris, IL\001\Energy\Elec\_CorCheck.cck, Report date: 02/16/24, Page: 5 of 8

HENDERSON ENGINEERS logo and contact information: 8345 LENEVA DRIVE, SUITE 300, LENOXA, IL 61824



03/01/2024

Vertical banner for HMN architects, KLINGNER & ASSOCIATES, P.C., and EDGAR COUNTY PUBLIC SAFETY CENTER, including bid and permit information and address: 12636 950TH ROAD, PARIS, ILLINOIS 61824

MICHAEL T. DERWATER